

Patriot™ SL



Parts Catalog Usage Guide

The information contained in this document is subject to change without notice. This catalog contains service parts for Form No. 98-252. If you have any questions regarding this catalog, please contact one of our Customer Service Representatives.

For Customer Service Support Call:

1-800-333-6900

For Faxed In Orders Call:

1-800-678-4682 or

1-440-366-0709

For Technical Service Call:

1-800-832-4707

Literature Can Be Found at:

www.invacare.com or

1-800-828-6272

SYMBOL DEFINITION

Throughout this catalog you will notice letters to draw your attention to specific footnotes which are located at the bottom of the page or below specified charts.

Examples:

A,B,C etc. = Special Comments

NOTE: = General information pertaining to that specific page

NLA = No Longer Available

HARDWARE MEASUREMENTS

The measurements for the hardware will be listed as follows:

Screws, Bolts Diameter X Thread Count/Pitch X Length

Washers Inside Diameter X Outside Diameter X Thickness

Spacers Inside Diameter X Outside Diameter X Length

For your convenience, we have supplied an area for you to list your Invacare Representatives.

Name	Phone Numbers

©2006 Invacare Corporation. Elyria, Ohio. Invacare, Yes, you can., and the Medallion Design are registered trademarks and Patriot is a trademark of Invacare Corporation.

TABLE of CONTENTS

Description	Page Number
Accessories - Amputee Attachment and Rear Anti-Tipper	53
Accessories - Back Pack, Seat Pouch and Insert	64
Accessories - Frabic Clothing Protector	55
Accessories - Heel Loops without Hardware	49
Accessories - I.V. / Oxygen Holder	62
Accessories - I.V. Rod	60
Accessories - Oxygen Holder	58
Accessories - Positioning Straps and Crutch and Cane Carrier	57
Accessories - Utility Tray	66
Accessories - Wheel Lock Extension Handle	68
Arms - Space Saver Adjustable Height Arms	14
Arms - Space Saver Fixed Height Arms	12
Back Canes and Hardware	9
Crossbraces and Hardware	7
Fork and Hardware	17
Frames and Hardware	5
Frames Finishes, Upholstery Colors and Packaging	4
Front Casters and Hardware	19
Front Riggings - 1651 Composite Footplate and Pivot Slide Tube Assemblies	45
Front Riggings - A1562/A1564 - Aluminum Footplate with Pivot Slidetube	42
Front Riggings - AT5543 Adjustable Angle Footplates	39

TABLE of CONTENTS

Description	Page Number
Front Riggings - Legrest Calfpads and Ratchet Assemblies	37
Front Riggings - Legrest Support Assemblies - AT5044	35
Front Riggings - Support Assemblies	33
Handrim Attaching Hardware	27
Handrims and Attaching Hardware Kits	25
Upholstery, Back/Seat without Hardware	10
Wheel - Rear Wheel Hardware	23
Wheel - Rear Wheels	21
Wheel Locks	28
Wheel Locks with Hill Holder	31

Frames Finishes, Upholstery Colors and Packaging

Frame Finishes and Touch-Up Paint

Color Number	Touch-Up Paint (.5 oz. bottle)	Color
22P	1033376	Anthracite
24P	1031450	Wet Black
71P	N/A	Silver Vein

Upholstery Color Options

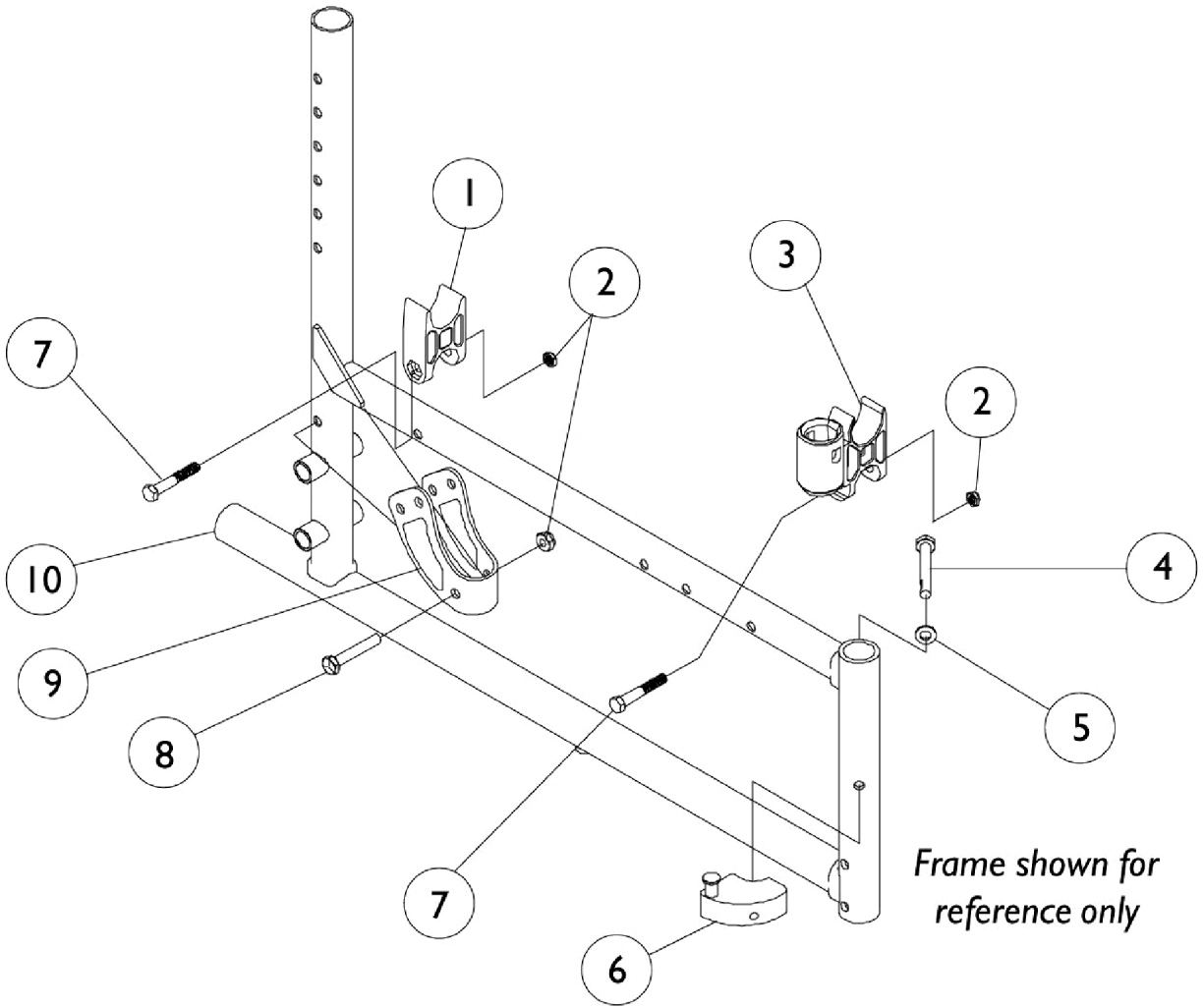
Color Number	Description
U240	Nylon, Black
U245	Sail Cloth, Black

Packaging and Literature

Part Number	Description	Quantity
1081102 See Note(s) A	Packaging Complete, Adult & Hemi - 16" Deep	1
1081103 See Note(s) A	Packaging Kit - 18" Deep	1
1081104 See Note(s) A	Packaging Kit - Oversized	1
00077X031	Card, Warranty Registration	1
1058407	Wrench Tool Kit	1
1088909	Owner's Manual	1

NOTE: A - Includes, Cartons, Inserts & Bag

Frames and Hardware



Frames and Hardware

Item Number	Note	Part Number	Description	Quantity Per	
				Package	Assembly
1		1056948	H-Block	1	1
2		7930364	Pkg, Locknut (1/4-20)	25	3
3		1056405	H-Block with Socket Cup	1	1
4		1052957	Screw, Hex Head (1/4-20 x 2")	1	2
5		1026907	Washer (1/4 x 1/2 x 1/16")	1	1
6	B	1054571	Kit, Sector Block - Right	1	1
6	B	1054572	Kit, Sector Block - Left	1	1
7		7930350	Screw, Hex Head (1/4-20 x 1-1/2")	25	2
8		1058561	Screw, Hex Head (1/4-20 x 1-1/2")	1	1
9		1056110	Bracket, Armrest - Chrome	1	1
9		1066261	Bracket, Armrest (Black)	1	1
10		1013869	Tube Cap (1")	1	1
	A,C	1056983	Kit, Frame Hardware 14" Deep	2	1
	C	See Chart	Frames without Hardware	1	1

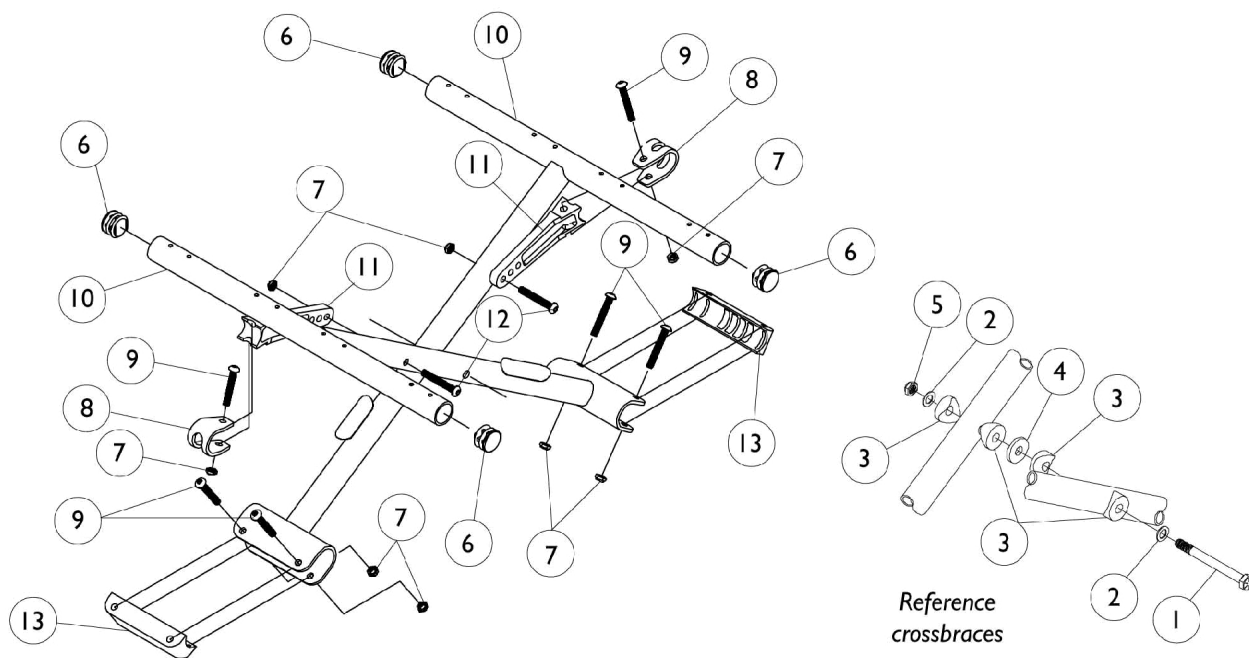
NOTE: A - Includes: items 1 thru 3 and item 7. (Pair)
 B - Includes: Items 4 and 5
 C - Not Shown

Frames without Hardware

Chair Model	Frame Side	16" Deep	18" Deep
Chrome	Right	1080311	1080313
Chrome	Left	1080312	1080314
Color	Right	8881080297 See Note(s) A	8881080299 See Note(s) A
Color	Left	8881080298 See Note(s) A	8881080300 See Note(s) A

NOTE: A - Specify frame color, see page titled "Frame Finishes, Upholstery Colors and Packaging".

Crossbraces and Hardware



Crossbraces and Hardware

Item Number	Note	Part Number	Description	Quantity Per	
				Package	Assembly
1		1016261	Screw, Hex Head Cap (5/16-24 x 3-1/4")	1	1
2		1016652-NLA	Washer (5/16 x 9/16 x 1/32")	1	2
3		1016263	Spacer, Coved (3/4 x 1 x 1/2")	1	4
4		7930313	Washer, Nylon (5/16 x 7/8 x 1/8")	25	1
5		7930363	Pkg, Locknut (5/16"-24)	25	1
6		1029501	Plug Button (1")	1	4
7		7930364	Pkg, Locknut (1/4-20)	25	8
8		1012180	Bracket, Pivot	1	2
9		1008495	Screw, Button Head Cap (1/4-20 x 1-1/2")	1	6
10	D	See Chart	#10 Crossbraces without Hardware	--	--
11	A	1046501	Pivot Link (14-15" W)	1	2
11	B	1012173	Pivot Link (16-18" W)	1	2
11	C	1018238	Pivot Link (20-22" W)	1	2
12		7930301	Pkg, Button Head Cap Screw (1/4-20 x 1-3/4")	25	2
13		1012172	Clamp, Saddle	1	2
	D,E	1046925	Hardware, Crossbrace (14-15" W)	2	1
	D,E	1034077	Hardware, Crossbrace (16-18" W)	2	1
	D,E	1034078	Hardware, Crossbrace (20-22" W)	2	1

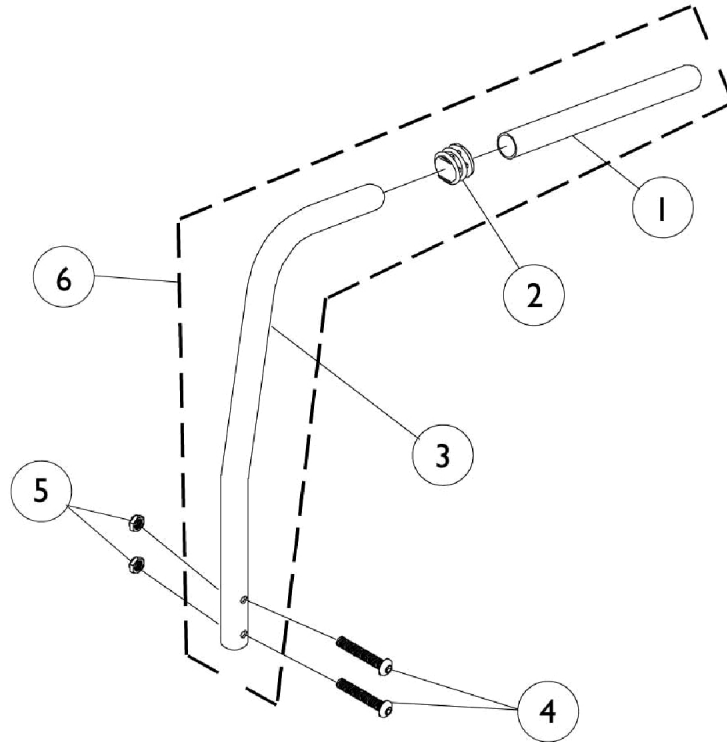
NOTE: A - 14" Wide Chairs
 B - 16" Wide Chairs
 C - 20" Wide Chairs
 D - Not Shown
 E - Includes Items 1-12

#10 Crossbraces without Hardware

(Individual Crossbraces Fit Both Right and Left Sides)

Depth	14" Width	16" Width	17" Width	18" Width	20" Width
16" Depth	1046107	1016250	1037547	1016251	1038381
18" Depth	--	1053344	1053345	1053346	1053347

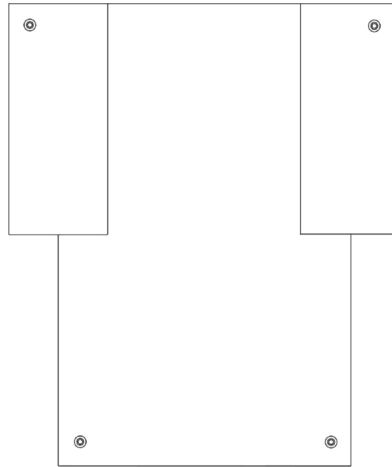
Back Canes and Hardware



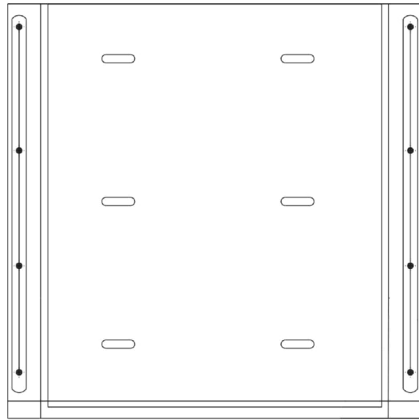
Item Number	Note	Part Number	Description	Quantity Per	
				Package	Assembly
1		1006229	Grip, Foam (8")	1	1
2		1042351	Bushing (3/4")	1	1
3		1042401	Tube, Straight	1	1
3		1020545	Tube with Bend	1	1
4		1008432	Screw, Button Head Socket (1/4-20 x 1-1/4")	1	2
5		7930364	Pkg, Locknut (1/4-20)	25	2
6	A	1028372	Back Cane Assembly - 10 Degree Bend	1	1
6	A	1042402	Back Cane Assembly - Straight	1	1

NOTE: A - Includes: Items 1-3

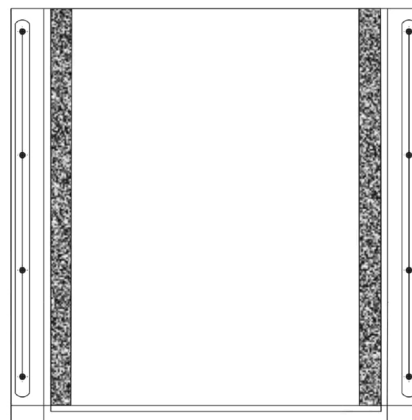
Back/Seat Upholstery without Hardware



Back Upholstery - Nylon



Seat Upholstery - Nylon



Seat Upholstery - Sail Cloth

Nylon Back Upholstery

Chair Width	Back Type and Height Nylon Wrap-Around 15-19"
14"	8881121434
16"	8881121435
17"	8881121436
18"	8881121437
20"	8881121438

All Back Upholstery is U240 Black, see page titled "Frame Finishes, Upholstery Colors and Packaging".

Back/Seat Upholstery without Hardware

Hardware for Back Upholstery

Part Number	Description	Quantity Per Package
1041541	Screw w/ Washer (#10 x 7/8")	12

Seat Upholstery

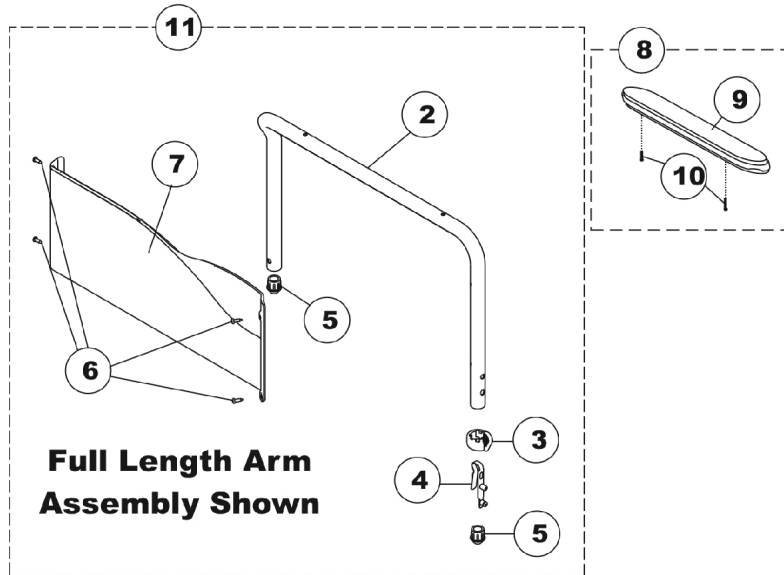
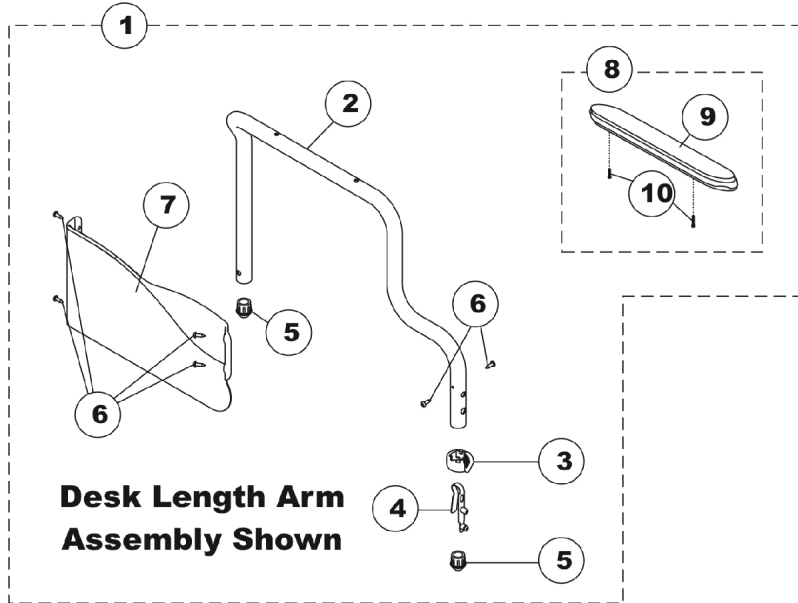
Width	Nylon 16" Deep	Nylon 18" Deep	Sail Cloth 16" Deep	Sail Cloth 18" Deep
14" W	8881057199	N/A	1031717	N/A
16" W	8881057241	8881057215	1031723	1031725
17" W	8881057202	8881057216	1031728	1031730
18" W	8881057242	8881057217	1031731	1031733
20" W	8881057204	8881057218	1031739	1031741

All seat upholstery, see page titled "Frame Finishes, Upholstery Colors and Packaging".

Hardware for Seat Upholstery

Part Number	Description	Qty Per Package
1041541	Screw w/ Washer (#10 x 7/8")	12

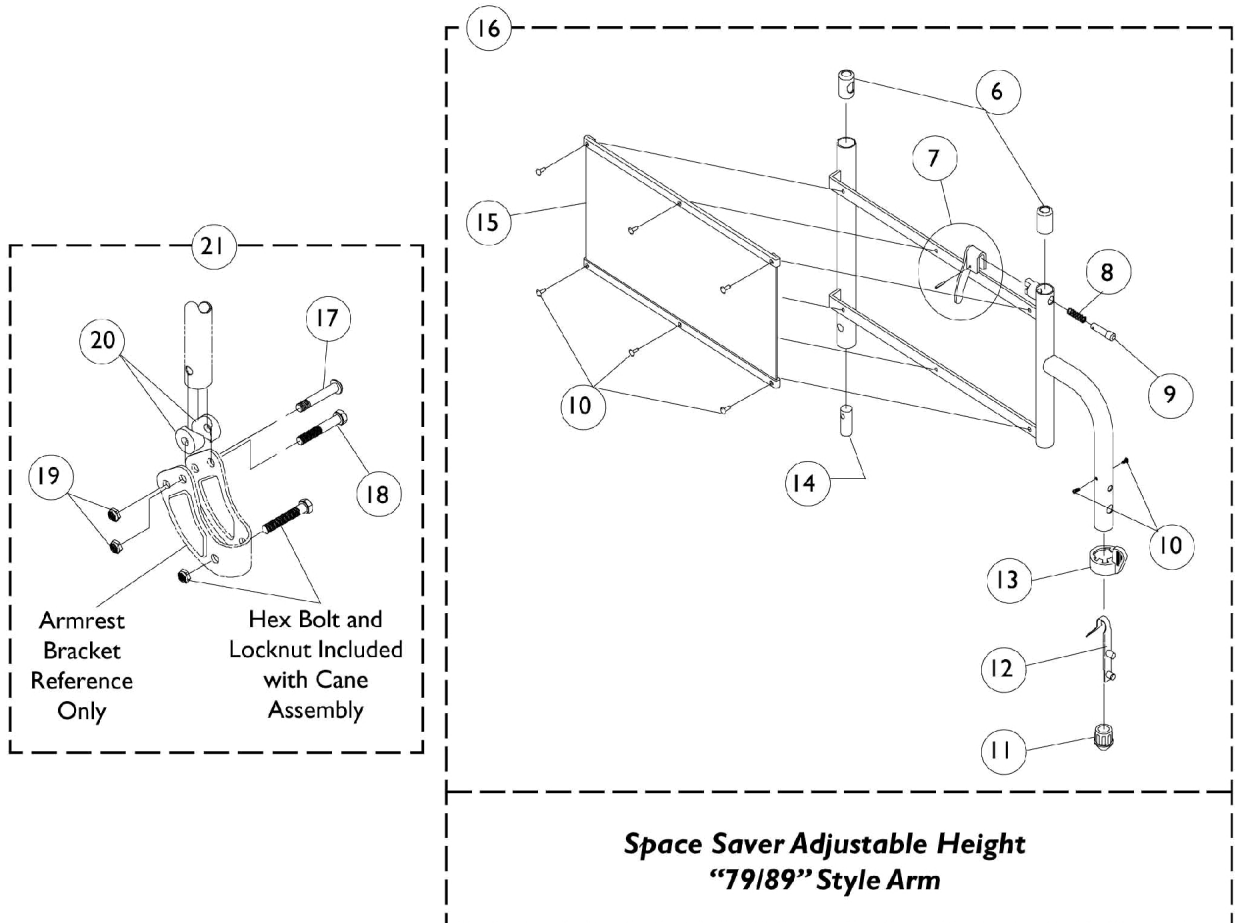
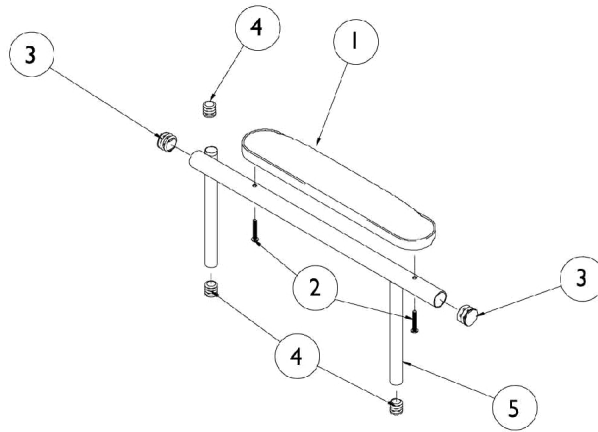
Space Saver Fixed Height Arms



Space Saver Fixed Height Arms

Item Number	Note	Part Number	Description	Quantity Per	
				Package	Assembly
1	C,E	8881130858	Kit, Armrest, Desk Length, Black - Right (Style 88)	1	1
2			Armrest Tube, Space Saver, Right - Black	1	1
3			Handle, Quad Release	1	1
4			Spring and Button Lock	1	1
5			Plug, Armrest (3/4")	1	2
6			Screw, Self Tapping (#6-20 x 1/2")	1	6
7			Clothing Guard, Desk Length - Right	1	1
9			Arm Pad - Desk Length	1	1
10			Package, Screw Phillips Head (#10-32 x 1-1/8")	1	2
1	C,E	8881130859	Kit, Armrest, Desk Length, Black - Left (Style 88)	1	1
2			Armrest Tube, Space Saver, Left - Black	1	1
3			Handle, Quad Release	1	1
4			Spring and Button Lock	1	1
5			Plug, Armrest (3/4")	1	2
6			Screw, Self Tapping (#6-20 x 1/2")	1	6
7			Clothing Guard, Desk Length - Left	1	1
9			Arm Pad - Desk Length	1	1
10			Package, Screw Phillips Head (#10-32 x 1-1/8")	1	2
7	B	1123307	Clothing Guard Kit, Space Saver - Desk Length Arm w/ Screws & Decals (1 Pair)	2	1
7	B	1123308	Clothing Guard Kit, Space Saver - Full Length Arm w/ Screws & Decals (1 Pair)	2	1
8	A	8881053570	Arm Pads with Screws - Desk Length	1	1
8	A	8881053571	Arm Pads with Screws - Full Length	1	1
11	C	1057705	Arm Assembly w/o Pad, Full - Right	1	1
11	C	1057706	Arm Assembly w/o Pad, Full - Left	1	1
	D	1101538	Decal, Armrest	1	1
<p>NOTE: A - Specify U67 upholstery color when ordering. B - Clothing Guards not sold individually. Kit includes clothing guards, screws, and decals. C - Due to Clothing Guard change, it is recommend (for chairs built Before 11/25/03) when only one Arm is requested the appropriate Clothing Guard Kit (item 7) be ordered also so that the arms will match. D - Not Shown E - Includes: Items 2-7 and 9-10</p>					

Space Saver Adjustable Height Arms



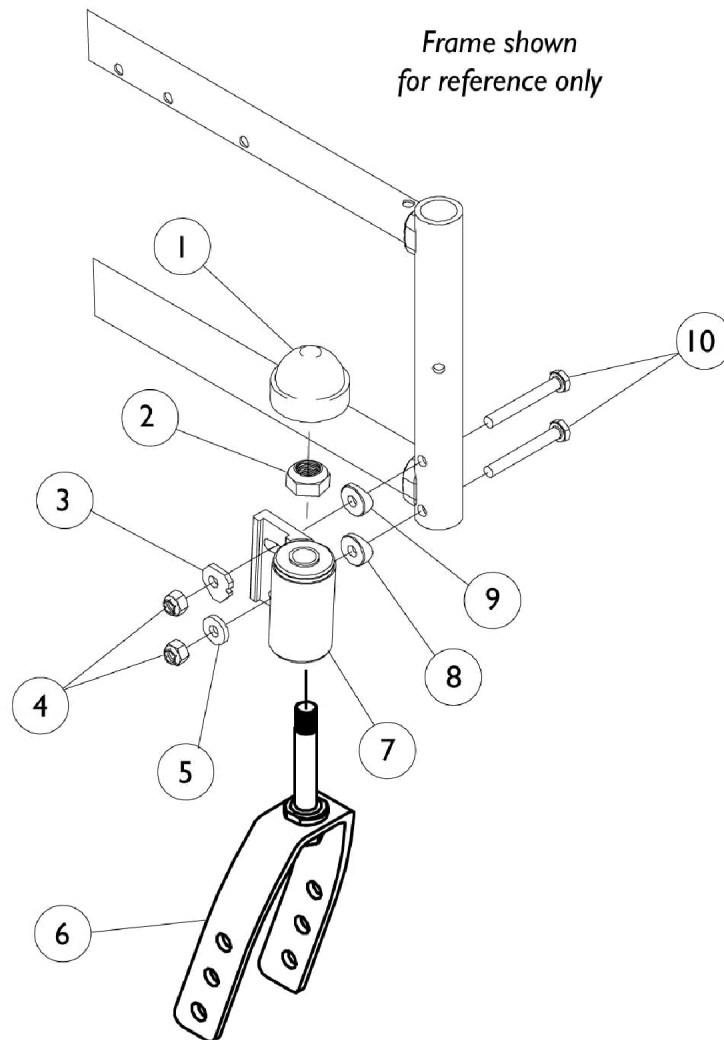
Space Saver Adjustable Height Arms

Item Number	Note	Part Number	Description	Quantity Per	
				Package	Assembly
1	A	8881053570	Arm Pads with Screws - Desk Length	2	1
1	A	8881053571	Arm Pads with Screws - Full Length	2	1
2		1055949	Screws, Phillips Pan Head (#10-32 x 1-1/8")	2	1
3		1027095	Plug Button, Black (7/8")	1	2
4		1035614	Plug Button (5/8") Black	1	3
5		1038462	Armrest Assembly, Space Saver Desk Length, Black - Right	1	1
			Wldmt, Armrest Desk - Right	1	1
3			Plug Button, Black (7/8")	1	2
4			Plug Button (5/8") Black	1	3
5		1038463	Armrest Assembly, Space Saver Desk Length, Black - Left	1	1
			Wldmt, Armrest Desk, Black - Left	1	1
3			Plug Button, Black (7/8")	1	2
4			Plug Button (5/8") Black	1	3
5		1038466	Armrest Assembly, Space Saver Full Length, Black - Right	1	1
			Upper Arm Assembly	1	1
3			Plug Button, Black (7/8")	1	2
4			Plug Button (5/8") Black	1	3
5		1038467	Armrest Assembly, Space Saver Full Length, Black - Left	1	1
			Upper Arm Assembly	1	1
3			Plug Button, Black (7/8")	1	2
4			Plug Button (5/8") Black	1	3
6		1036150	Anti-Rattle	1	2
7		1090768	Kit, Lock Handle with Rivets	2	1
8		47471X074	Spring, Arm Lock	1	1
9		47471X068	Locking Pin	1	1
10		1025729	Screw, Self Tapping Pan Head (#8-32 x 3/8")	1	8
11		1036484	Plug, Arm Tube (3/4")	1	1
12		1018225	Spring and Button Lock	1	1
13		1015450	Handle, Quad Release	1	1
14		1058915	Insert, Rear Arm Tube	1	1
15	B	1064129	Clothing Guard	1	1
16	C	1057126	Arm Assembly, Adjustable Height - Right	1	1
16	C	1057127	Arm Assembly, Adjustable Height - Left	1	1
17		1029583	Screw, Button Head (1/4-20 x 1-7/16")	1	1
18		16720X004	Screw, Hex Head Cap (1/4-20 x 1-1/2")	1	1
19		60275X000	Locknut (1/4-20)	1	2
20		1025457	Spacer, Coved (1/4 x 3/4 x 11/32")	1	2
21	D	1055529	Hardware, Armrest	1	1
			Spacer, Coved (1/4 x 3/4 x 11/32")	1	4
			Locknut (1/4-20)	1	4
			Screw, Hex Head Cap (1/4-20 x 1-1/2")	1	2

Space Saver Adjustable Height Arms

Item Number	Note	Part Number	Description	Quantity Per	
				Package	Assembly
			Screw, Button Head (1/4-20 x 1-7/16")	1	2
NOTE: A - Specify U67 upholstery color when ordering. B - Right/Left C - Includes items 6 thru 16 D - Includes items 18 thru 21					

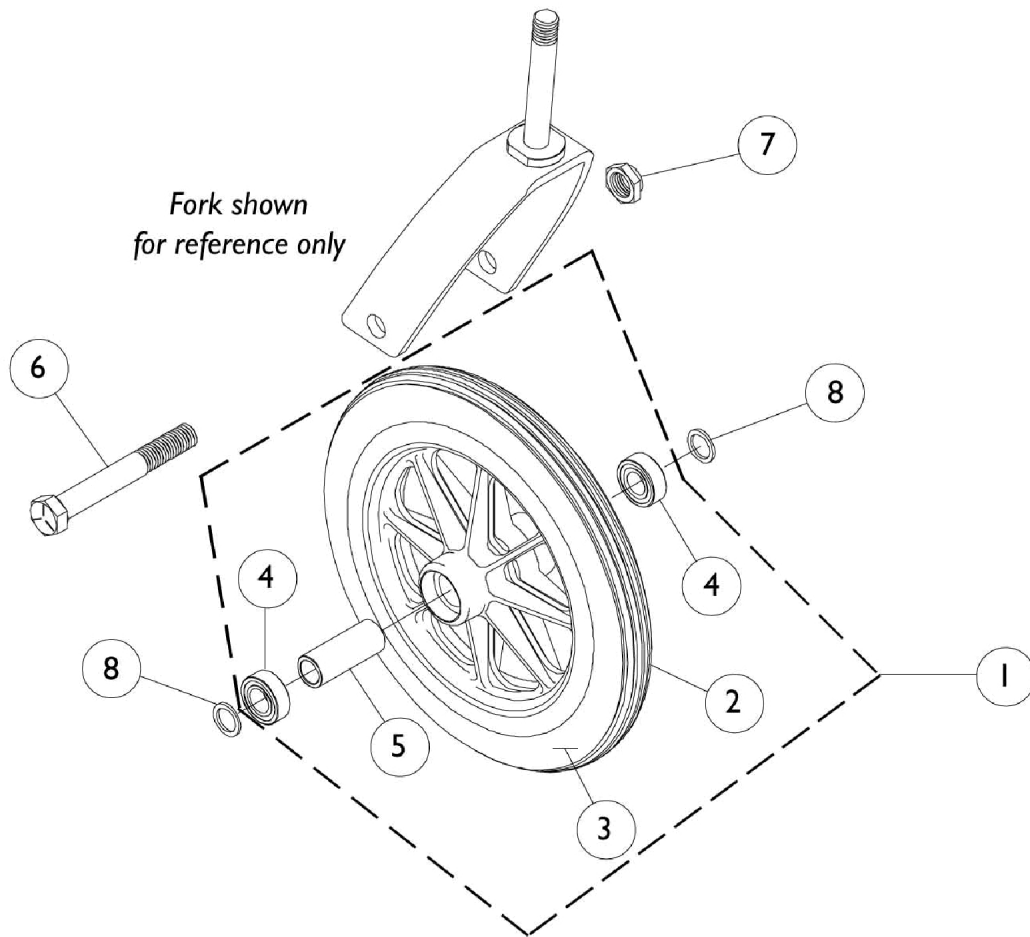
Fork and Hardware



Fork and Hardware

Item Number	Note	Part Number	Description	Quantity Per	
				Package	Assembly
1		1001843	Cap, Head Tube (Black)	1	1
2		7930302	Locknut (1/2-20)	25	1
3		1080318	Headtube Adjustable Cam	1	1
4		7930345	Locknut (1/4-28)	25	2
5		1018739	Washer (1/4 x 5/8 x 3/32")	1	1
6		1037420	Fork and Stem Assembly, Aluminum (Black) - 6" Urethane Caster	1	1
6		1056640	Fork and Stem Assembly, Aluminum (Black) - 6 x 2" and 8" Casters	1	1
7		1080315	Caster Headtube w/ Flanged Bearings - Right	1	1
7		1080316	Caster Headtube w/ Flanged Bearings - Left	1	1
8		1009861	Spacer, Coved (1/4 x 11/16 x 1/2")	1	1
9		1026099	Spacer, Coved (1/4 x 11/16 x 1/2")	1	1
10		7930341	Screw Hex Head (1/4-28 x 2")	25	2

Front Casters and Hardware

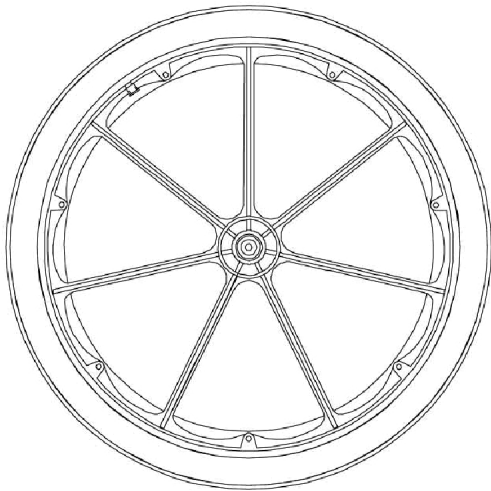


Front Casters and Hardware

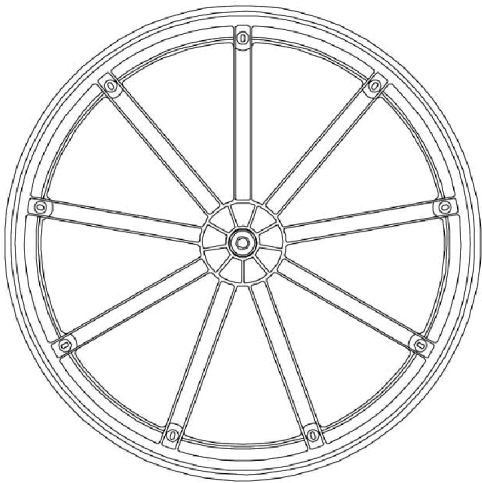
Item Number	Description	AT902 Composite Dark Grey	AT903 Composite	1292 Black Composite	1492 Composite Pneumatic
		Urethane (6 x 1")	Urethane (8 x 1-1/4")	Urethane (8 x 1-1/4")	with Flat Free (8x1-1/4")
1	Wheel Assembly 1pc.	1029500 See Note(s) A	1058649 See Note(s) A	1009481 See Note(s) A	1030773
2	Tire	--	1038157	40176X040	40176X040
3	Tube/Insert	--	--	1010904	1010904
4	Bearing	40117X026	1040102	1006049	1006049
5	Hub Spacer	1026172	1020592	1020592	1020592
6	Front Axle	7930362	57667P007	57667P007	57667P007
7	Axle Locknut	7930363	7930352	7930352	7930352
8	Axle Washer	--	--	7930312	7930312
	Axle Spacer See Note(s) B	1053202	--	--	--

NOTE: A - Includes tire, tube/insert, bearings, and spacer.
B - Not Shown

Rear Wheels (without Handrims)



7 Spoke Composite Wheel

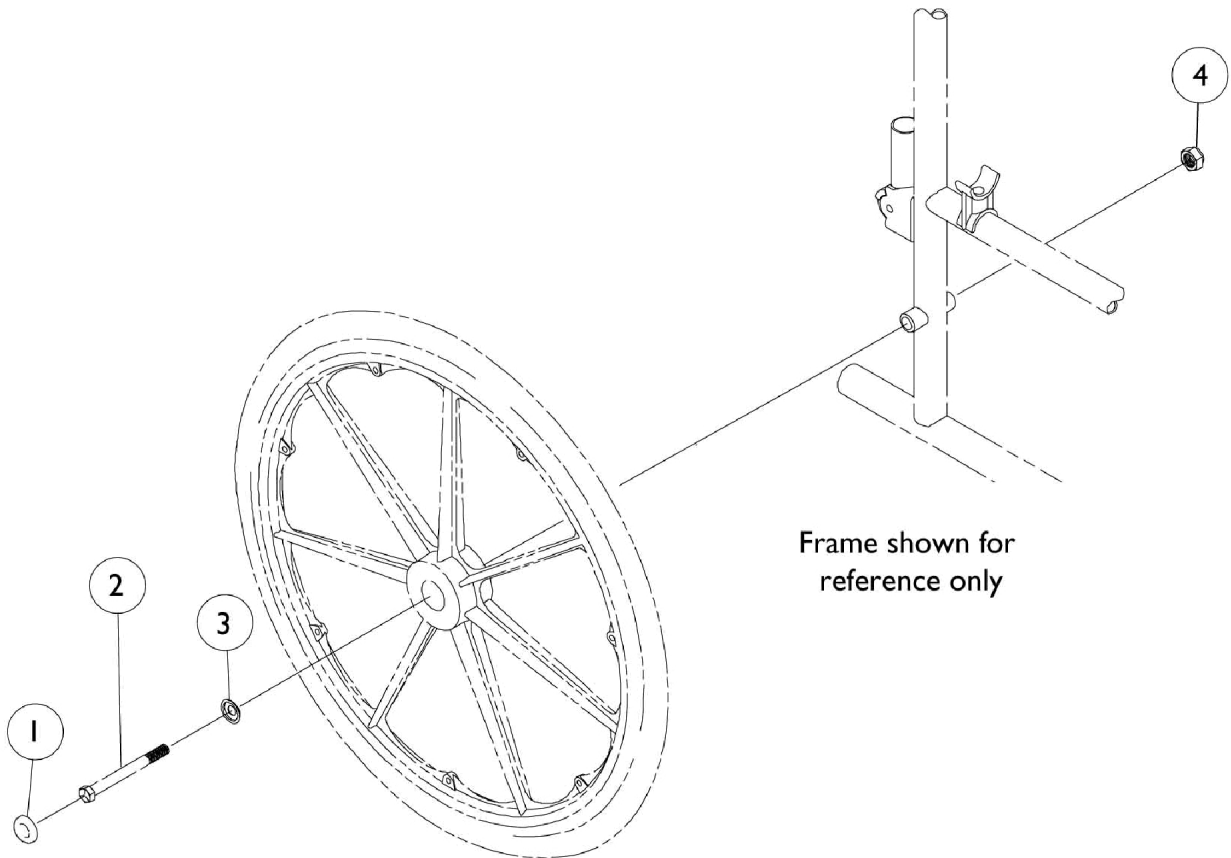


9 Spoke Composite Wheel

Rear Wheels (without Handrims)

Wheel Style	Wheel Size	Single Wheel Assembly	Tire	Tube Insert	Bearing	Bearing Spacer
Urethane U1763BK See Note(s) C	20x1-1/4"	1038555 See Note(s) A, C, B	1037774	N/A	40117X024	1015756
Pneumatic 1763BK	20x1-3/8"	1034126 See Note(s) A, B	1017519	1017520	40117X024	1015756
Pneumatic 4763BK w/Flat Free	20x1-3/8"	1034127 See Note(s) A, C, B	1017519	1023322	40117X024	1015756
Urethane U1764BK	20x1-1/4"	1032115 See Note(s) A, C, B	1028250	N/A	40117X024	1015756
Pneumatic 1764BK	20x1-3/8"	1027149 See Note(s) A, B	1018544	1018545	40117X024	1015756
Pneumatic 4764BK w/Flat Free	20x1-3/8"	1027150 See Note(s) A, B	1018544	1023323	40117X024	1015756
Urethane U2244BK 7-Spoke	20x1-1/4"	1032117 See Note(s) A, C	1026904	N/A	40117X024	1015756
Pneumatic 2244BK	20x1-3/8"	1025123 See Note(s) A	40176X060	40176X061	40117X024	1015756
Pneumatic 4244BK w/Flat Free	20x1-3/8"	1025124 See Note(s) A, C	40176X060	1010906	40117X024	1015756
Urethane U2222 9-Spoke	24"	1044193 See Note(s) A, C, D	1039304	N/A	40117X024	1015756
Urethane U2222 9-Spoke	24"	1080378 See Note(s) A, C, E	1080400	N/A	40117X024	1015756
<p>NOTE: A - Includes tire, tube/insert, bearing, and spacer; Does not include handrim. B - When ordering 20" or 22" wheels, a wheel lock shoe spacer may also be required. See page titled "Wheel Locks". C - Wheels with Flat Free Inserts have a plug which caps an opening in the rim. See page titled "Rear Wheel Hardware" for plug, part number 1030936. D - Before 11/20/98 E - After 11/19/98</p>						

Rear Wheel Hardware



Rear Wheel Hardware

Item Number	Note	Part Number	Description	Quantity Per	
				Package	Assembly
1	A,B	1027600-NLA	Cap, Black	1	1
1	C	1016291	Hub Cap, Black	1	1
2	D	47203X029	Screw, Hex Head (7/16-20 x 4-1/2")	1	1
2	D	1015436	Axle, Quick Release (7/16" x 4-1/2")	1	1
3	C	1016289	Washer, Caplugs (15/32" I.D. x 1-3/32" O.D.)	1	1
4		1045608	Locknut (7/16-20)	1	1
	E,G	1047943	Kit, Rear Wheel Hardware	1	1
			Hub Cap, Black	1	1
			Washer, Caplugs (15/32" I.D. x 1-3/32" O.D.)	1	1
	F,G	1034106	Kit, Rear Wheel Hardware	1	1
			Screw, Hex Head (7/16-20 x 4-1/2")	1	1
			Locknut (7/16-20)	1	1
	F,G	1030936	Valve Stem Plug	1	1
	F,G	1034109	Kit, Rear Wheel Hardware	1	1
			Screw, Hex Head Cap (7/16-20 x 5-1/8")	1	1
			Locknut (7/16-20)	1	1
			Spacer (7/16 x 5/8 x 1/2")	1	1
NOTE: A - U2222 Wheel Only B - Before 11/20/98 C - U2222 only After 11/19/98 D - Space Saver Arms E - Includes items 1 and 3 F - Includes items 2 and 4 G - Not Shown					

Handrims and Attaching Hardware Kits

(Individual Hardware is on page titled "Handrim Attaching Hardware")

Black Plastic Coated - Projection

Handrim Only	Quantity	Att. Points	Att. Hardware Kit	Wheel Type
1115400 See Note(s) C	1	7	1025158 See Note(s) A	A See Note(s) B
1115401 See Note(s) C	1	7	1025158 See Note(s) A	B See Note(s) B
1115397 See Note(s) C	1	7	1025158 See Note(s) A	C See Note(s) B
1115462 See Note(s) C	1	6	1025150 See Note(s) A	D See Note(s) B

NOTE: A - Kit contains hardware for 1 handrim.
 B - See chart titled "Wheel Types".
 C - Grey Plastic Coated Handrims are no longer available and have been replaced with black. If only one grey handrim is requested order the black handrims in pairs.

Black Plastic Coated - Projection

Handrim Only	Quantity	Att. Points	Att. Hardware Kit	Wheel Type
1115399 See Note(s) A	1	6	1062763 See Note(s) C	D See Note(s) D
1115394 See Note(s) A	1	7	1062764 See Note(s) C	C See Note(s) D
1115398 See Note(s) B	1	6	1062763 See Note(s) C	D See Note(s) D
1115396 See Note(s) B	1	7	1062765 See Note(s) C	C See Note(s) D

NOTE: A - 8 Vertical
 B - 8 Oblique
 C - Kit contains hardware for 1 handrim.
 D - See chart titled "Wheel Types".

Handrims and Attaching Hardware Kits

(Individual Hardware is on page titled "Handrim Attaching Hardware")

Aluminum - Flat Black - Non-Projection

Handrim Only	Quantity	Att. Points	Att. Hardware Kit	Wheel Type
1020017 See Note(s) A, C	1	7	1025153 See Note(s) B	A See Note(s) D
1020018 See Note(s) A, C	1	7	1025153 See Note(s) B	B See Note(s) D
1015406 See Note(s) A, C	1	7	1025153 See Note(s) B	C See Note(s) D
NOTE: A - AHDRM B - Kit Contains hardware for 1 handrim. C - When replacing handrims for chairs built before 12/17/99 order in pairs, handrim color has changed from Pewter to Flat Black. D - See chart Titled "Wheel Types"				

Composite - Non-Projection

Handrim Only	Quantity	Att. Points	Att. Hardware Kit	Wheel Type
1064036 See Note(s) A	1	7	1065790 See Note(s) B	D See Note(s) C
1063919 See Note(s) A	1	9	1065791 See Note(s) B	C See Note(s) C
NOTE: A - COM B - Kit contains hardware for 1 handrim. C - See Chart Titled "Wheel Types"				

Wheel Types

A	20" Composite with Urethane or Pneumatic Tire
B	22" Composite with Urethane or Pneumatic Tire
C	24" (7 Spoke) Composite with Urethane or Pneumatic Tire
D	24" (9 Spoke) Composite with Urethane Tire

Handrim Attaching Hardware

Non-Projection Handrim Hardware

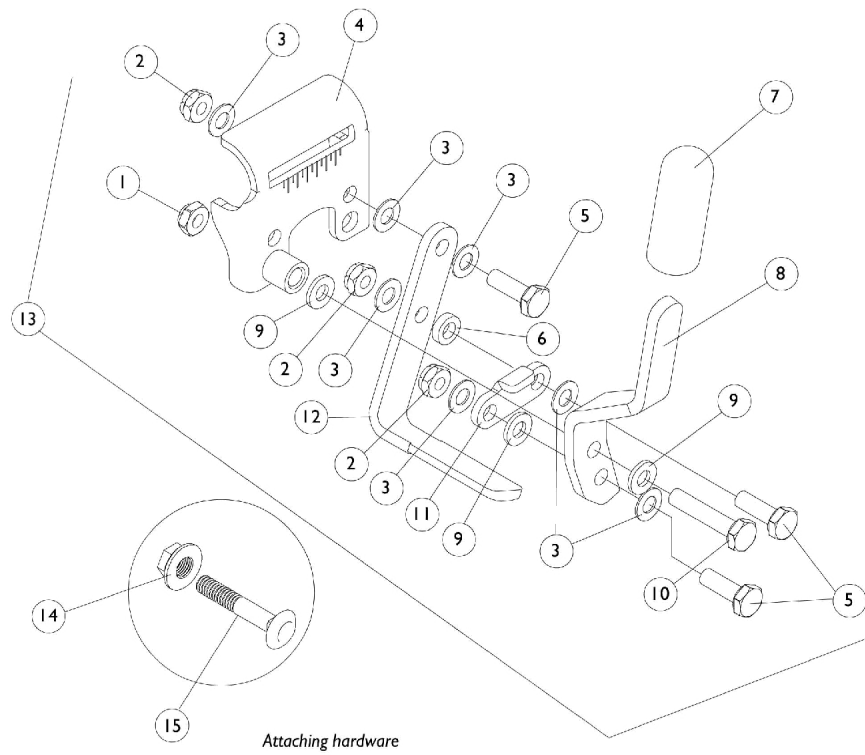
Part Number	Description	Hardware Kit	Hardware Kit	Hardware Kit	Hardware Kit	Hardware Kit
		1025150	1025153	1025158	1065790	1065791
1026750	Screw with Washer (10-32 x 7/8")	6	--	--	--	--
7930305	Screw, Pan Head Machine (10-32 x 1-3/4")	--	7	7	--	--
1016438	Spacer (1/4 x 11/32 x 1")	--	7	--	--	--
1098755	Screws with Washers (#10 x 1-1/2")	--	--	--	7	9

Projection Handrim Hardware

Part Number	Description	Hardware Kit	Hardware Kit	Hardware Kit
.	.	1062763	1062765	1062764
11008X011	Screw (10-32 x 1-3/8")	6	--	--
11008X003	Screw (10-32 x 1-1/4")	--	7	--
16718X000	Screw (10-32 x 7/8")	6	--	--
7930360	Screw (10-32 x 11/16"0	--	7	7
7930305	Screw (10-32 x 1-3/4")	--	--	7
47559X008	Link	6	7	7
7930365	Locknut (10-32)	6	7	7
1013218	Washer (3/16 x 1/2 x 3/64")	6	7	7
1017870	Spacer (1/2 x 1/4")	6	--	--

The quantity in each column is the amount of that item that is in the hardware kit.

Wheel Locks



Wheel Locks

Item Number	Note	Part Number	Description	Quantity Per	
				Package	Assembly
1	A	7930364	Pkg, Locknut (1/4-20)	25	1
1	B	7930323	Pkg, Locknut (1/4-20)	25	1
2	A	7930367	Locknut (1/4-28)	25	3
2	B	7930334	Locknut (1/4-28)	25	3
3	A	7930357	Washer, Nylon (1/4 x 1/2 x 1/32")	25	7
3	B	1026103	Washer, Nylon (1/4 x 1/2 x 1/32")	1	7
4		See Chart	#4,8, & 13 Mounting Bracket, Handle & Wheellock Assembly	1	1
5	A	60274X012	Screw, Hex Head Cap (1/4-28 x 3/4")	1	3
5	B	1028687	Screw, Hex Head Cap (1/4-28 x 3/4")	1	3
6	A	40157X004	Spacer, Nylon (1/4 x 1/8")	1	1
6	B	1026105	Spacer, Nylon (1/4 x 7/16 x 1/8")	1	1
7		47376X024	Tip, Wheel Lock Rubber	1	1
8		See Chart	#4,8, & 13 Mounting Bracket, Handle & Wheellock Assembly	1	1
9	A	1010398	Washer, Nylon (1/4 x 1/2 x 1/16")	1	3
9	B	1026033	Washer, Nylon (1/4 x 1/2 x 1/16")	1	3
10	A	1007017	Screw, Hex Head (1/4-20 x 1-1/4")	1	1
10	B	1021406	Screw, Hex Head Cap (1/4-20 x 1-1/4")	1	1
11	A	1016592	Link	1	1
11	B	1021404	Link	1	1
12	A	1015443	Shoe	1	1
12	B	1021405	Shoe, Wheel Lock	1	1
13		See Chart	#4,8, & 13 Mounting Bracket, Handle & Wheellock Assembly	1	1
14	A	7930351	Nut, Hex Flange (1/4-20)	25	1
14	B	7930316	Pkg, Hex Flange Nut (1/4-20)	25	1
15	A	7930309	Bolt, Carriage (1/4-20 x 1-1/2")	25	1
15	B	1021402	Bolt, Carriage (1/4-20 x 2")	1	1
	C,D,E, F	7400109	Kit, Wheel Lock Shoe Spacer	2	2
			Screw, Set (#8-32 x 3/16")	1	4
			Spacer, Shoe Wheel Lock (2-7/16" Long)	1	2
	C,D,E, G	1037422	Kit, Wheel Lock Shoe Spacer, 22" Rear Wheels	2	2
			Spacer, Wheel Lock Shoe (1-45/64" Long)	1	2
			Screw, Set (#8-32 x 3/16")	1	4
	C	7930306	Screw, Set (#8-32 x 3/16")	25	2

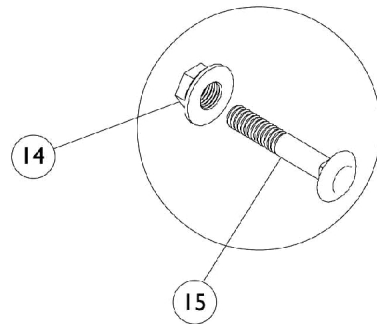
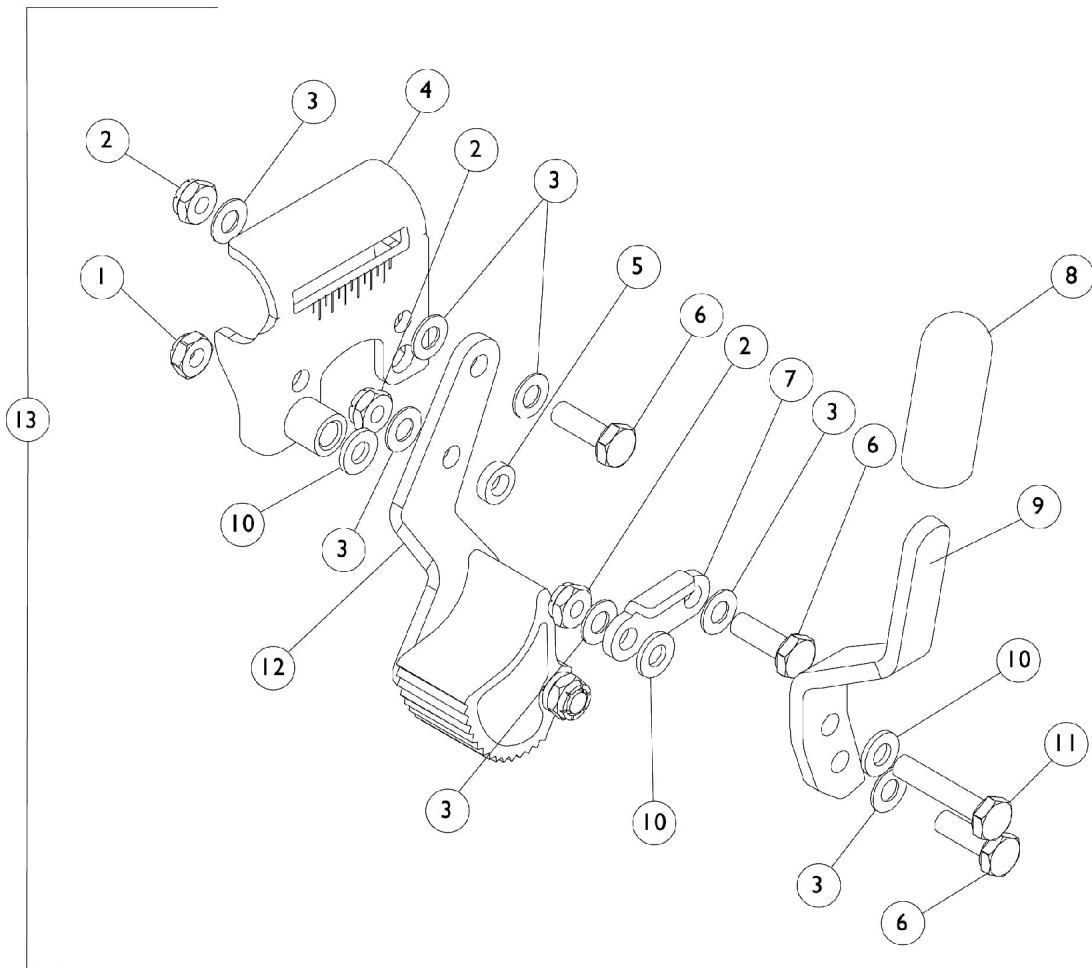
NOTE: A - Chrome Chairs
 B - Black or Color Chairs
 C - Not Shown
 D - Includes set screws
 E - These items are not included with wheel lock, they may be needed if chair has 20 inch or 22 inch rear wheels
 F - 20" Rear Wheels
 G - 22" Rear Wheels

Wheel Locks

#4,8, & 13 Mounting Bracket, Handle & Wheellock Assembly

Wheellock Type	Side	4) Mounting Bracket	8) Wheel Lock Handle	13) Wheel Lock Assembly
Push to Lock: Chrome	Right	1015445	1016588	1045861
	Left	1015446	1016589	1045862
Push to Lock: Color	Right	1031787	1021408	1031792
	Left	1031788	1021409	1031793
Pull to Lock: Chrome	Right	1015445	1016590	1045857
	Left	1015446	1016591	1045858
Pull to Lock: Color	Right	1031787	1031780	1031794
	Left	1031788	1031781	1031795

Wheel Locks with Hill Holder



Attaching hardware

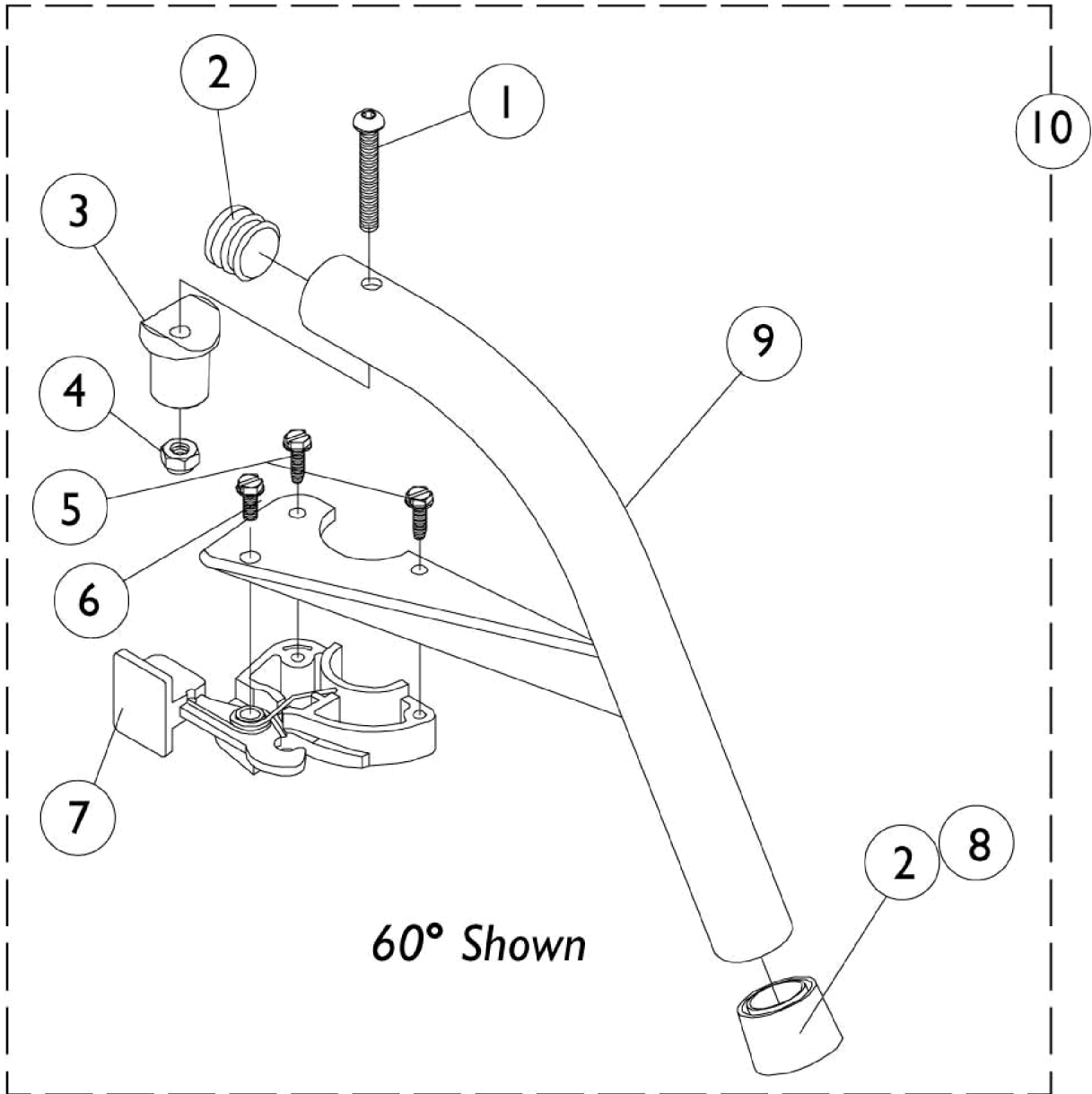
Wheel Locks with Hill Holder

Item Number	Note	Part Number	Description	Quantity Per	
				Package	Assembly
1		7930364	Pkg, Locknut (1/4-20)	25	1
2		7930367	Locknut (1/4-28)	25	3
3		7930357	Washer, Nylon (1/4 x 1/2 x 1/32")	25	7
4		1015445	Bracket, Mounting - Right	1	1
4		1015446	Bracket, Mounting - Left	1	1
5		40157X004	Spacer, Nylon (1/4 x 1/8")	1	1
6		60274X012	Screw, Hex Head Cap (1/4-28 x 3/4")	1	3
7		1017861	Link	1	1
8		47376X024	Tip, Wheel Lock Rubber	1	1
9	E	1016588	Handle, Adult Push - Right	1	1
9	E	1016589	Handle, Adult Push - Left	1	1
9	E	1016590	Handle, Hemi Pull - Right	1	1
9	E	1016591	Handle, Hemi Pull - Left	1	1
10		1010398	Washer, Nylon (1/4 x 1/2 x 1/16")	1	3
11		1007017	Screw, Hex Head (1/4-20 x 1-1/4")	1	1
12		1016892	Hill Holder - Right	1	1
12		1016893	Hill Holder - Left	1	1
13	A,B,C	1034212	Wheel Lock Assembly, Hill Holder, Push to Lock - Right	1	1
13	A,B,C	1034213	Wheel Lock Assembly, Hill Holder, Push to Lock - Left	1	1
13	A,B,D	1034214	Wheel Lock Assembly, Hill Holder, Pull to Lock - Right	1	1
13	A,B,D	1034215	Wheel Lock Assembly, Hill Holder, Pull to Lock - Left	1	1
14	E	7930351	Nut, Hex Flange (1/4-20)	25	1
14	F	7930316	Pkg, Hex Flange Nut (1/4-20)	25	1
15	E	7930309	Bolt, Carriage (1/4-20 x 1-1/2")	25	1
15	F	1021402	Bolt, Carriage (1/4-20 x 2")	1	1

NOTE: A - Hill holder Wheel Locks not for use with Urethane tires.
 B - Includes items 1 thru 12
 C - Push to Lock - Adult
 D - Pull to Lock - Hemi
 E - Chrome Chairs
 F - Black or Color Chairs

Support Assemblies

For Models P60, P70, P70T, P30E



Support Assemblies For Models P60, P70, P70T, P30E

Item Number	Note	Part Number	Description	Quantity Per	
				Package	Assembly
1		7930301	Pkg, Button Head Cap Screw (1/4-20 x 1-3/4")	25	1
2	B	1056328	Plug Button (1")	1	2
3		1017148	Plug, Pivot	1	1
4		7930333	Locknut (1/4-20)	25	1
5		1025451	Screw, Hex Head (#10-32 x 5/8")	1	2
6		7930314	Screw, Slotted Hex Head (#10-32 x 1/2")	25	1
7		1025454	Latch Housing - Right	1	1
7		1025455	Latch Housing - Left	1	1
8		1026124	Anti-Rattle Collar	1	1
	A	1026987	Impact Guard, 8" Long	1	1
9	C	See Chart	#9 & 10 Support Assemblies (Include Items 2-8)	1	1
10	D	See Chart	#9 & 10 Support Assemblies (Include Items 2-8)	1	1

NOTE: A - Not Shown
 B - 2 each on 60° and 70°
 C - Support Tube and Bracket
 D - Support Assembly (Includes Items 1-9)

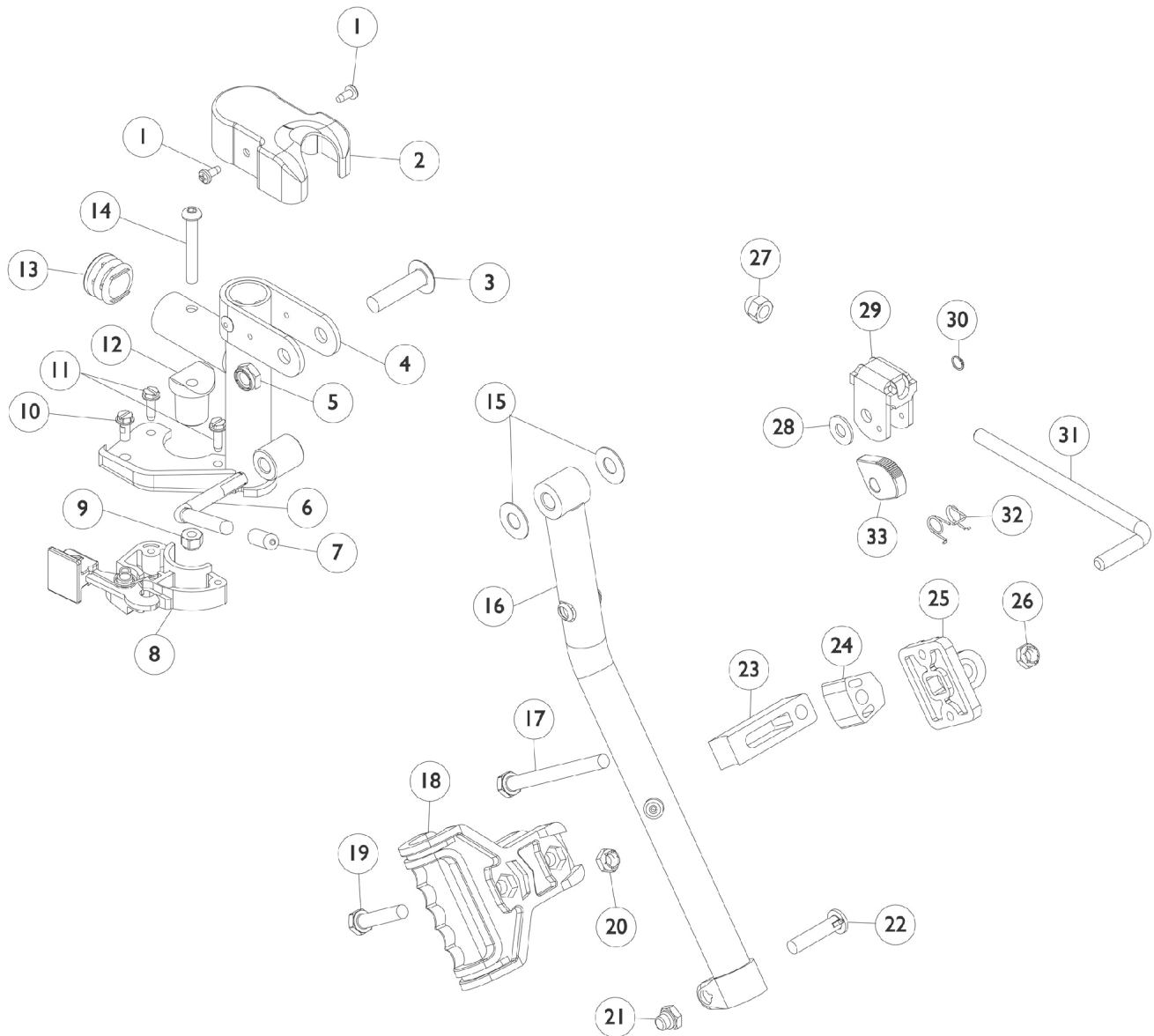
Support Assemblies (Includes Items 2-8)

Side	Item #9 60° Swingaway	Item #10 60° Swingaway	Item #9 70° Non-Tapered	Item #10 70° Non-Tapered	Item #9 70° Tapered	Item #10 70° Tapered
Right	1082432 See Note(s) A	1082440 See Note(s) A	1082434 See Note(s) A	1082442 See Note(s) A	1082436 See Note(s) A	1082444 See Note(s) A
Left	1082433 See Note(s) A	1082441 See Note(s) A	1082435 See Note(s) A	1082443 See Note(s) A	1082437 See Note(s) A	1082445 See Note(s) A
Right	8881026831 See Note(s) B	8881026992 See Note(s) B	8881026833 See Note(s) B	8881026994 See Note(s) B	8881025447 See Note(s) B	8881026996 See Note(s) B
Left	8881026832 See Note(s) B	8881026993 See Note(s) B	8881026834 See Note(s) B	8881026995 See Note(s) B	8881025448 See Note(s) B	8881026997 See Note(s) B

NOTE: A - Specify Blk
 B - Specify frame color, see page titled "Frame Finishes, Upholstery Colors and Packaging".
 Specify frame color when ordering. Specify Black for chrome frames. See page titled "Frame Finishes, Upholstery Colors and Packaging".

Legrest Support Assemblies (AT5044)

Specify frame color when ordering.



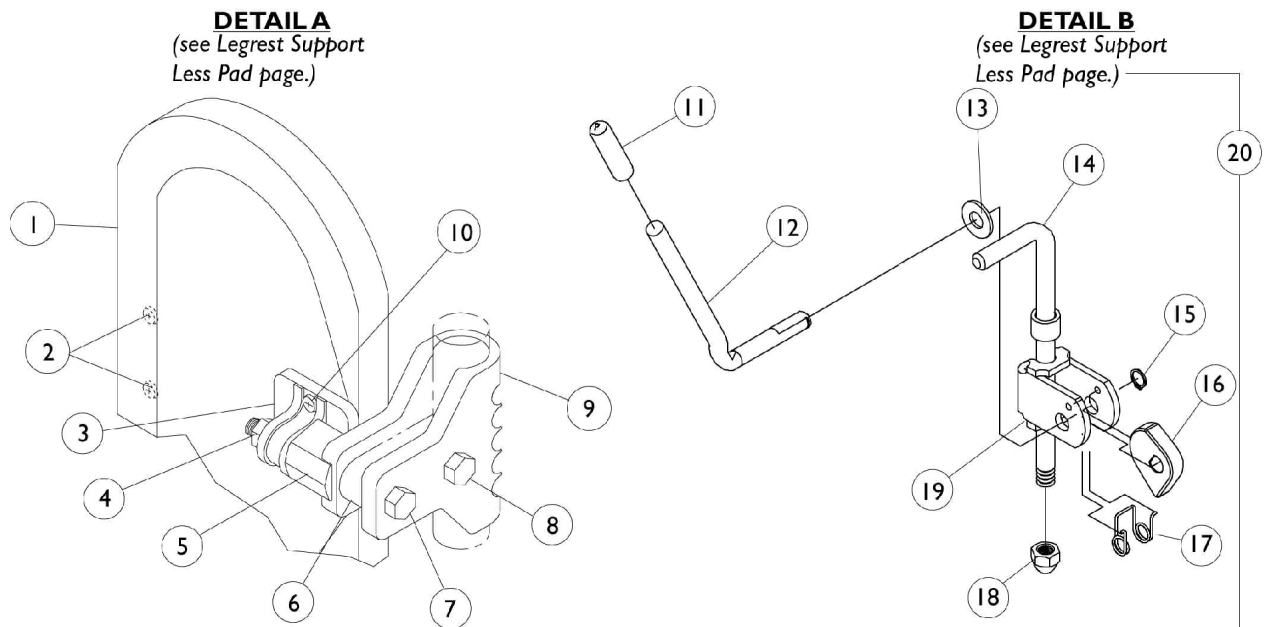
Legrest Support Assemblies (AT5044)

Specify frame color when ordering.

Item Number	Note	Part Number	Description	Quantity Per	
				Package	Assembly
1		1025729	Screw, Self Tapping Pan Head (#8-32 x 3/8")	1	2
2		1017187	Cover, Top	1	1
3		11919X000	Screw, Truss Head (3/8-16 x 1-1/2")	1	1
4		8881045289	Bracket, Legrest Support - Right	1	1
4		8881045290	Bracket, Legrest Support - Left	1	1
5		40363X000	Hex Nut (3/8"-16)	1	1
6		1037126	Handle, Release	1	1
7		1040060	Tip	1	1
8		1025454	Latch Housing - Right	1	1
9		1025736	Locknut (1/4-20)	1	1
10		1017423	Screw, Hex Head (#10-32 x 1/2")	1	1
11		1025451	Screw, Hex Head (#10-32 x 5/8")	1	2
12		1017148	Plug, Pivot	1	1
13		1029501	Plug Button (1")	1	1
14		1001762	Screw, Socket Button Head (1/4-20 x 1-3/4")	1	1
15		1058636	Washer, Nylon (25/64 x 7/8 x 1/32")	1	2
16		8881048851	Tube, Elevating Support (Color) - Right	1	1
17		1037110	Screw, Hex Head (5/16-24 x 3-1/2")	1	1
18		1032266	Bracket, Legrest Pad Mounting	1	1
19		1028514	Screw, Hex Head (5/16-24 x 1-1/2")	1	1
20		1025730	Locknut (5/16-24)	1	1
21		1107321	Nut, Low Cap (5/16"-24)	1	1
22		1026030	Screw, Lug (5/16-24 x 1-3/8")	1	1
23		1032267	Spacer, Legrest Pad Mounting	1	1
24		1025133	Spacer, Legrest Pad	1	1
25		04526X019	Plate, Legrest Pad	1	1
26		1025730	Locknut (5/16-24)	1	1
27		10261X000	Acorn Nut (5/16"-24)	1	1
28		1013519	Washer, Nylon (5/16 x 11/16 x 1/16")	1	1
29		04528X002	Bracket, Release (Chrome)	1	1
30		1040831	Snap Ring	1	1
31		42326X001	Bar, Ratchet	1	1
32		1037485	Spring, Release	1	1
33		1037125	Cam, Legrest	1	1
	B,A	8881045291	Legrest Support Assembly w/o Pad - Right	1	1
	B,A	8881045292	Legrest Support Assembly w/o Pad - Left	1	1

NOTE: A - Not Shown
B - Includes Items 1-33.

Legrest Calfpads and Ratchet Assemblies



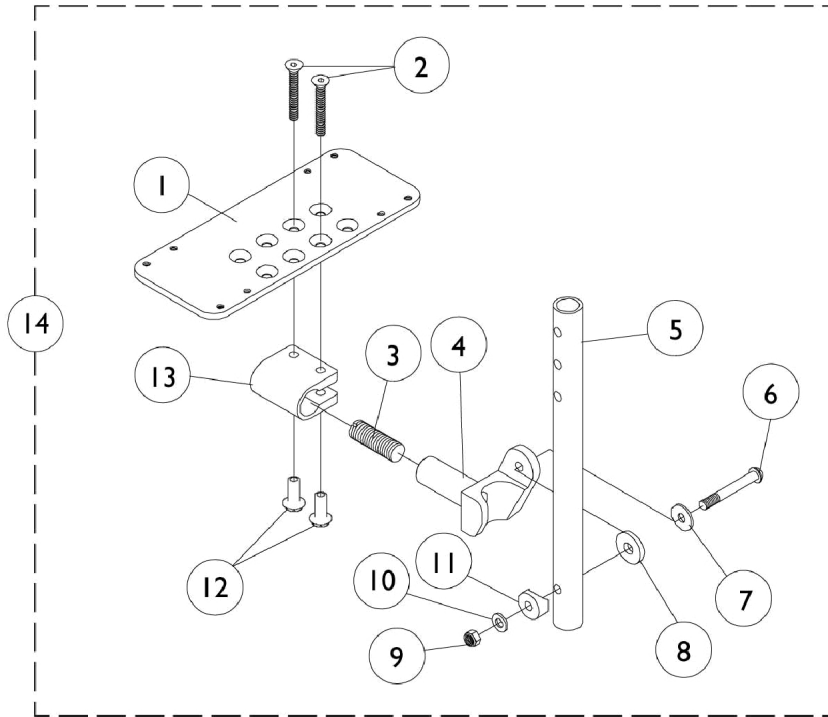
Legrest Calfpads and Ratchet Assemblies

Item Number	Note	Part Number	Description	Quantity Per	
				Package	Assembly
1	A	88804529X003	Pad, Legrest Vinyl - Right	1	1
1	A	88804529X004	Pad, Legrest Vinyl - Left	1	1
1	A,C	7500003	Calf Pad with Cover	1	1
1	A,C	01415X000-NLA	Cover, Legrest Pad	1	1
1	D	8881091759	Pad w/Cover and Screws, Legrest Vinyl	2	1
2		7930360	Screw, Phillips Pan Head (#10-32 x 11/16")	25	2
3		04526X019	Plate, Legrest Pad	1	1
4		7930330	Locknut (5/16-24)	25	1
5		1025133	Spacer, Legrest Pad	1	1
6		1032267	Spacer, Legrest Pad Mounting	1	1
7		1037110	Screw, Hex Head (5/16-24 x 3-1/2")	1	1
8		1028514	Screw, Hex Head (5/16-24 x 1-1/2")	1	1
9		1032266	Bracket, Legrest Pad Mounting	1	1
10		7930328	Screw, Phillips Pan Head (#10-32 x 11/16")	25	2
11		1040060	Tip	1	1
12		1037126	Handle, Release	1	1
13		7930310	Washer, Nylon (5/16 x 11/16 x 1/16")	25	1
14		42326X001	Bar, Ratchet	1	1
15		1040831	Snap Ring	1	1
16		1037125	Cam, Legrest	1	1
17		1037485	Spring, Release	1	1
18		7930336	Nut, Acorn (5/16-24)	25	1
19		04528X002	Bracket, Release (Chrome)	1	1
20	E	1046328	Ratchet Assembly Kit	2	1
	B	1042798	Instruction Sheet, Ratchet Kit	1	1

NOTE: A - Specify U67 upholstery color when ordering, see page titled "Frame Finishes, Upholstery Colors and Packaging"
 B - Not Shown
 C - 16" and Wider (before 9/5/00)
 D - After 9/5/00
 E - Includes Items 11-19 and Instruction sheet

AT5543 Adjustable Angle Footplates

60° and 70° Swingaway Supports with Straight Slide Tube



AT5543 Adjustable Angle Footplates 60° and 70° Swingaway Supports with Straight Slide Tube

Item Number	Note	Part Number	Description	Quantity Per	
				Package	Assembly
1		1060426	Footplate, Adjustable Angle - Medium (4-1/4" W x 8" L)	1	1
1		1060427	Footplate, Adjustable Angle - Large (5-1/4" W x 8" L)	1	1
1		1062569	Footplate, Adjustable Angle - X-Large (6-1/4" W x 8" L)	1	1
2	A	1029545	Screw, Socket Head Cap (1/4-20 x 3/4")	1	2
3		1048816	Screw, Nylon Adjustment (1/2-13 x 7/8")	1	1
4		1052102	Hinge, Footplate - Right	1	1
4		1052103	Hinge, Footplate - Left	1	1
5		1120384	Pivot Slide Tube, Straight - Alum. (9-7/8" Long)	1	1
5		1120385	Pivot Slide Tube, Straight - 2" Longer (11-7/8" Long)	1	1
6		7930321	Screw, Socket Button Head (1/4-20 x 1-7/8")	25	1
7		1026900	Washer (1/4 x 23/32 x 1/16")	1	1
8		7930313	Washer, Nylon (5/16 x 7/8 x 1/8")	25	1
9		7930333	Locknut (1/4-20)	25	1
10		1026907	Washer (1/4 x 1/2 x 1/16")	1	1
11		1025457	Spacer, Coved (1/4 x 3/4 x 11/32")	1	2
12	A	1082686	Nut, Hex Head (1/4-20 x 11/16")	1	1
13	A	1058517	Clamp, Footplate	1	1
14		See Chart	60°, 70° Non-Tapered, & Elevating Legrest	1	1
14		See Chart	70 Degree Tapered	1	1
NOTE: A - Items 2, 12, and 13 must be ordered together for chairs manufactured before 8/10/99 due to a hardware change					
Adjustable Angle Footplates with Pivot Slide Tube - see chart					

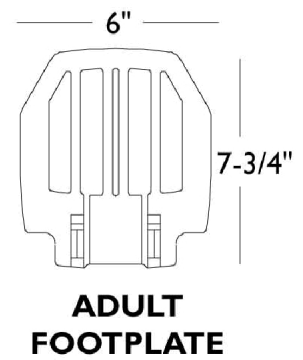
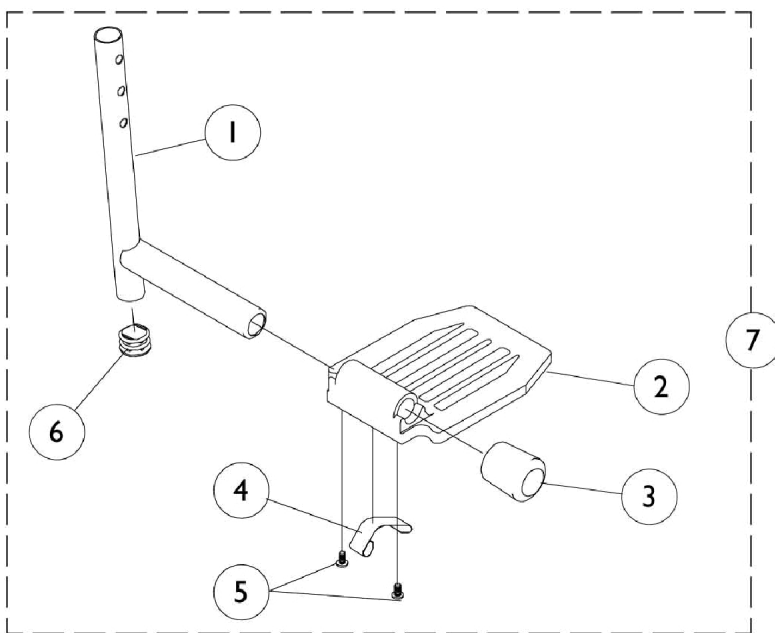
AT5543 Adjustable Angle Footplates
60° and 70° Swingaway Supports with Straight Slide Tube
70° Tapered

Width	Slide Tube	Footplate Size	Right	Left
15"-16" Wide	Straight Slide Tube (9-7/8")	4-1/4" Footplate	1060430	1060431
17"-18" Wide	Straight Slide Tube (9-7/8")	5-1/4" Footplate	1060432	1060433
19"-20" Wide	Straight Slide Tube (9-7/8")	6-1/4" Footplate	1062572	1062573
15"-16" Wide	ALPT Straight Slide Tube (11-7/8")	4-1/4" Footplate	1062576	1062577
17"-18" Wide	ALPT Straight Slide Tube (11-7/8")	5-1/4" Footplate	1060440	1060441
19"-20" Wide	ALPT Straight Slide Tube (11-7/8")	6-1/4" Footplate	1062578	1062579

60°, 70° Non-Tapered, & Elevating Legrest

Width	Slide Tube	Footplate Size	Right Side	Left Side
14"-15" Wide	Straight (9-7/8")	5-1/4" Footplate	1060432	1060433
16"-20" Wide	Straight (9-7/8")	6-1/4" Footplate	1062572	1062573
14"-15" Wide	ALPT Straight Tube (11-7/8") Aluminum	5-1/4" Footplate	1060440	1060441
16"-20" Wide	ALPT Straight Tube (11-7/8") Aluminum	6-1/4" Footplate	1062578	1062579
14"-15" Wide	ALPT Straight Tube (11-7/8") Steel	5-1/4" Footplate	1062758	1062759
16"-20" Wide	ALPT Straight Tube (11-7/8") Steel	6-1/4" Footplate	1062760	1062761

A1562/A1564 - Aluminum Footplate with Pivot Slidetube



A1562/A1564 - Aluminum Footplate with Pivot Slidetube

Item Number	Note	Part Number	Description	Quantity Per	
				Package	Assembly
1	A	1048834	Pivot/Slide Tube with Plug Button	1	1
1	A	1086481	Pivot Slide Tube with Plug Button - XLarge, 2" Longer	1	1
1	A	1086482	Pivot/Slide Tube with Plug Button - 4" Longer	1	1
2		44200X059	Footplate, Aluminum - Small (6-3/4" W x 6" L)	1	1
2		44200X027	Footplate, Aluminum - Medium (7-3/4" W x 6" L)	1	1
2	B	44200X025	Footplate, Aluminum - Extra Large (8" W x 8-1/2" L) - Right	1	1
2	B	44200X026	Footplate, Aluminum - Extra Large (8" W x 8-1/2" L) - Left	1	1
3		1027095	Plug Button, Black (7/8")	1	1
4		1006981	Spring	1	1
4		1036123	Spring	1	1
5		1025729	Screw, Self Tapping Pan Head (#8-32 x 3/8")	1	2
6		1027097	Plug Button, Black (3/4")	1	1
7		See Chart	60° - Pivot Slide Tube w/ Aluminum Footplate	1	1
7		See Chart	70° - Pivot Slide Tube & Aluminum Footplate	1	1

NOTE: A - Includes Items 3 and 6
B - Aluminum

Pivot Slide Tube with Aluminum Footplate - see chart.

7 - Pivot Slidetube with Aluminum Footplate

60° / Elevating

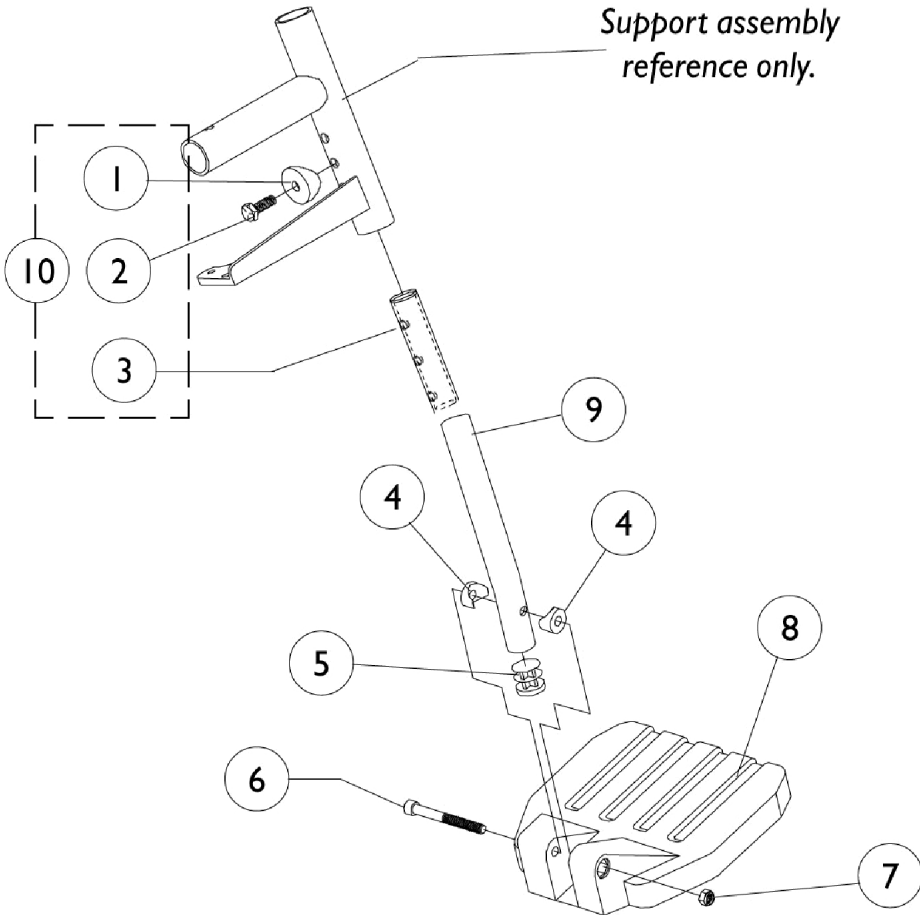
Chair Width	Small Adult Footplate 6"x6"	Medium Adult Footplate 6"x7"	X-Large Adult Footplate 8"x8-1/2"	X-Large 2" Longer	X-Large 4" Longer
14" Right	1041542	--	--	--	--
14" Left	1041543	--	--	--	--
16-20" Right	--	1026401	1026395	1086515	1086516
16-20" Left	--	1026402	1026396	1086517	1086518

70° Tapered

Chair Width / Side	Small Adult Footplate 6 x 6"	Medium Adult Footplate 6 x 7"
14" Right	1041542	--
14" Left	1041543	--
16-20" Right	--	1026401
16-20" Left	--	1026402

A1562/A1564 - Aluminum Footplate with Pivot Slidetube

1651 Composite Footplate and Pivot Slide Tube Assemblies (Less Heel Loops)



1651 Composite Footplate and Pivot Slide Tube Assemblies (Less Heel Loops)

Item Number	Note	Part Number	Description	Quantity Per	
				Package	Assembly
1		1026099	Spacer, Coved (1/4 x 11/16 x 1/2")	1	1
2		7930326	Screw, Hex Head Cap (1/4-20 x 3/4")	25	1
3		1020534	Insert, Threaded	1	1
4		1025457	Spacer, Coved (1/4 x 3/4 x 11/32")	1	2
5		1027097	Plug Button, Black (3/4")	1	1
6		7930366	Screw, Socket Head Cap (1/4-20 x 2-1/4")	25	1
7		7930323	Pkg, Locknut (1/4-20)	25	1
8		1026879	Footplate, Composite - Small (6" W x 6" L)	1	1
8		1026880	Footplate, Composite - Medium (7" W x 6" L)	1	1
8		1026881	Footplate, Composite - Large (8" W x 6" L)	1	1
9	A	1120382	Pivot Slide Tube, Curved End - Long (9-7/8" Long)	1	1
9	A	1120386	Pivot Slide Tube, Curved - 2" Longer (11-7/8" Long)	1	1
9	B	1120384	Pivot Slide Tube, Straight - Alum. (9-7/8" Long)	1	1
9	B	1120385	Pivot Slide Tube, Straight - 2" Longer (11-7/8" Long)	1	1
10		1026703	Kit, Pivot/Slide Tube Mounting Hardware	2	1
11		See Chart	#11 60° Pivot Slidetube with Composite Footplate	1	1
11		See Chart	#11 70° Pivot Slide Tube with Composite Footplates	1	1

NOTE: A - 60°
B - 70°

#11 Pivot Slide Tube with Composite Footplate

60° / Elevating

Chair Width	Side	Small Adult Footplate 6x6"	Medium Adult Footplate 6x7"	Large Adult Footplate 6x8"
14"	Right	1028391	--	--
	Left	1028392	--	--
16"	Right	--	1028387	--
	Left	--	1028388	--
17-20"	Right	--	--	1028383
	Left	--	--	1028384
2" Longer Pivot Tube	Right	1032627	1032625	1032623
	Left	1032628	1032626	1032624
70° Non-Tapered/ 70° Tapered	Right	1042784	--	--
	Left	1042785	--	--
16"	Right	--	1042786	--
	Left	--	1042787	--
17-20"	Right	--	--	1042788
	Left	--	--	1042789

1651 Composite Footplate and Pivot Slide Tube Assemblies (Less Heel Loops)

#11 Pivot Slide Tube with Composite Footplate

60° / Elevating

Chair Width	Side	Small Adult Footplate 6x6"	Medium Adult Footplate 6x7"	Large Adult Footplate 6x8"
2" Longer Pivot Tube	Right	1042790	1042792	1042794
	Left	1042791	1042793	1042795

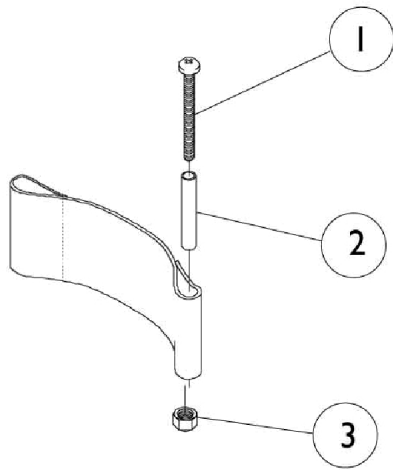
1651 Composite Footplate and Pivot Slide Tube Assemblies (Less Heel Loops)

#11 Pivot Slide Tube with Composite Footplates

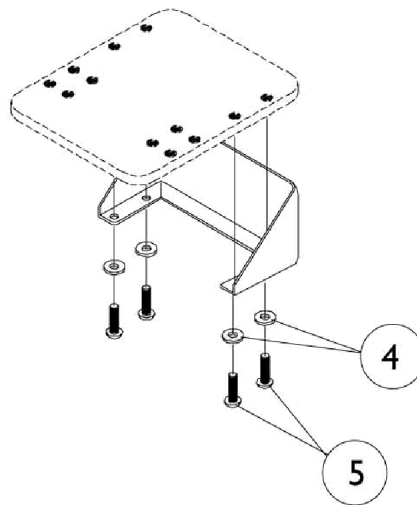
70° Non-Tapered, 70° Tapered

Chair Width	Side	Small Adult Footplate 6"x6"	Medium Adult Footplate 6"x7"	Large Adult Footplate 6"x8"
14" W	Right	1042784	--	--
	Left	1042785	--	--
16" W	Right	--	1042786	--
	Left	--	1042787	--
17-20" W	Right	--	--	1042788
	Left	--	--	1042789
2" Longer Pivot Slide Tube	Right	1042790	1042792	1042794
2" Longer Pivot Slide Tube	Left	1042791	1042793	1042795

Heel Loops without Hardware



**Heel Loop for
1651/A1562/A1564**



**Heel Loop for
AT5543**

Heel Loops without Hardware

Heel Loop Hardware

Item Number	Note	Part Number	Description	Quantity Per	
				Package	Assembly
1		1021421	Screw, Pan Head (1/4-20 x 2-1/4")	1	1
2		1006477	Spacer (1/4 x 11/32 x 1-3/4")	1	1
3		7930323	Pkg, Locknut (1/4-20)	25	1
4		1026115	Screw, Pan Head (#10-32 x 5/16")	1	4
5		1028516	Washer (3/16 x 7/16 x 1/16")	1	4
	A	See Chart	Heel Loops - A1562 Aluminum Footplates	1	1
	A	See Chart	Heel Loops - A1564 Extra Large Footplates	1	1
	A	See Chart	Heel Loops - A5543 Adjustable Angle Footplates	1	1
	A	See Chart	Accessories - Heel Loops - 1651 Composite Footplates	1	1

NOTE: A - Not Shown.

1651 Composite Footplates

Chair Width/Type	Heel Loop Single	Heel Loop Pair	Attaching Hardware Pair
14" Special See Note(s) A	1025234	1035905	1035931
16" Medium See Note(s) A	1017621	1035917	1035931
18-20" Large See Note(s) A	1027000	1035929	1035931
14-16" Special See Note(s) B	1025234	1035905	1035931
18" Medium See Note(s) B	1017621	1035917	1035931
20" Large See Note(s) B	1027000	1035929	1035931

NOTE: A - 60°/70° Non-Tapered
B - 70° Tapered

A5543 Adjustable Angle Footplates

Chair Width/Type	Heel Loop Single	Heel Loop Pair	Attaching Hardware Pair
14" Small See Note(s) A	1030958	1036101	1036096
16-17" Medium See Note(s) A	99816X024	1069037	1036096
18-20" Large See Note(s) A	99816X024	1068624	1036096
16-18" Medium See Note(s) B	1017621	1035917	1035931
20" Large See Note(s) B	1027000	1035929	1035931

Heel Loops without Hardware

NOTE: A - 60°/70° Non-Tapered
B - 70° Tapered

Heel Loops without Hardware

A1562 Aluminum Footplates

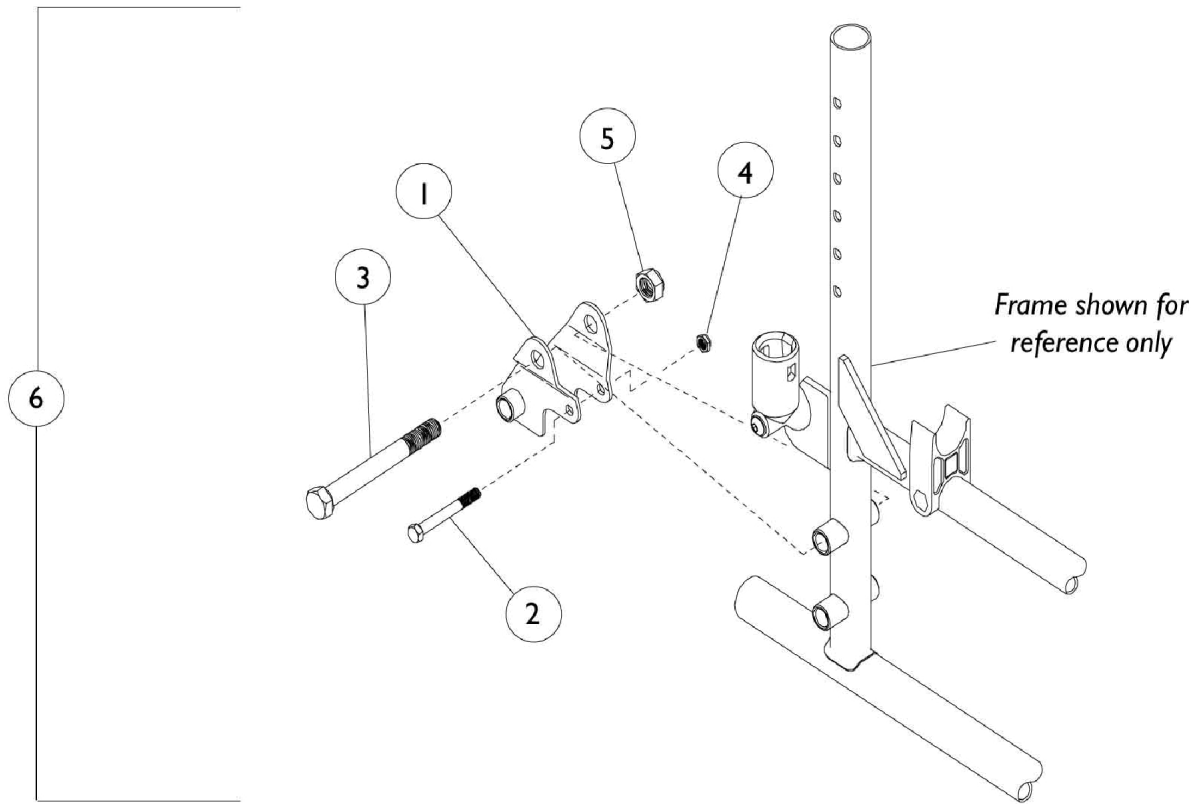
Chair Width/Type	Heel Loop Single	Heel Loop Pair	Attaching Hardware Pair
14" Small See Note(s) A	1017621	1035917	1035931
16-20" Large See Note(s) A	1027000	1035929	1035931
16-18" Medium	1017621	1035917 See Note(s) B	1035931
20" Large See Note(s) B	1027000	1035929	1035931
NOTE: A - 60°/70° Non-Tapered B - 70° Tapered			

A1564 Extra Large Footplates

Chair Width/Type	Heel Loop Single #	Heel Loop Pair #	Attaching Hardware Pair
16-20" Large See Note(s) A	1027000	1035929	1035931
NOTE: A - 60°/70° Non-Tapered			

Amputee Attachment and Rear Anti-Tipper

Due to changes in paint finishes, it is recommended that Anti-Tippers be ordered in pairs.



Amputee Attachment and Rear Anti-Tipper

Due to changes in paint finishes, it is recommended that Anti-Tippers be ordered in pairs.

Item Number	Note	Part Number	Description	Quantity Per	
				Package	Assembly
1	A	1058500	Bracket, Amputee, (Right Adult) (Left Hemi)	1	1
1	B	1058501	Bracket, Amputee, (Left Adult) (Right Hemi)	1	1
2		7930350	Screw, Hex Head (1/4-20 x 1-1/2")	25	1
4		7930364	Pkg, Locknut (1/4-20)	25	1
6	C	1058670	Amputee Attachment (Pair)	2	1
1			Bracket, Amputee, (Right Adult) (Left Hemi)	1	1
1			Bracket, Amputee, (Left Adult) (Right Hemi)	1	1
2			Screw, Hex Head Cap (1/4-20 x 1-1/2")	1	2
3			Screw, Hex Head (7/16-20 x 2-1/2")	1	2
4			Locknut (1/4-20)	1	2
5			Locknut (7/16-20)	1	2
			Instruction Sheet	1	1
	D	See Chart	Rear Anti-Tipper	1	1
	D	1058669	Instruction Sheet	1	1

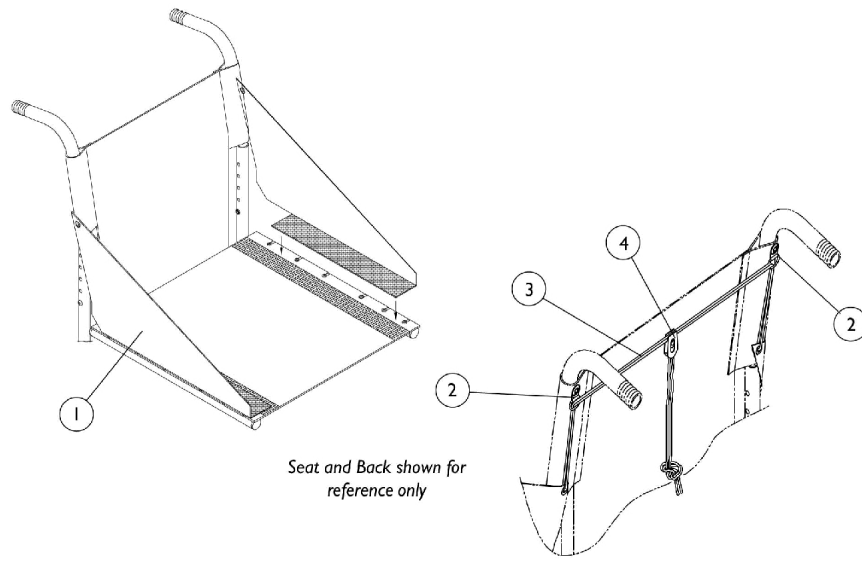
NOTE: A - Right=Adult, Left=Hemi
 B - Right=Hemi, Left=Adult
 C - Includes Items 1-5 and Instruction Sheet
 D - Not Shown

Rear Anti-Tipper

Part Number	Description	Quantity
1061112	Anti-Tipper - 1360A	1
See Note(s) A, D, B		
1061111	Anti-Tipper - 1360	1
See Note(s) A, C, D		

NOTE: A - Includes Hardware
 B - For chairs with 6" Fork & Caster
 C - For chairs with 8" Fork & Caster
 D - Not SHown

Fabric Clothing Protector



Fabric Clothing Protector

Item Number	Note	Part Number	Description	Quantity Per	
				Package	Assembly
1		1057388	Fabric Clothing Protector (Pair)	2	2
2		1029407	"D" Ring	1	2
3		1141633	Cord, Nylon (6-1/2')	1	1
4		1029412	Cord Lock	1	1
	A,B	1054770	Clothing Protector Hardware Kit	1	1
	A,C	1035976	Fabric Clothing Protectors with Hardware (Pair)	2	2
NOTE: A - Not shown B - Includes items 2-4 C - Includes items 1-4					

Positioning Straps and Crutch and Cane Carrier

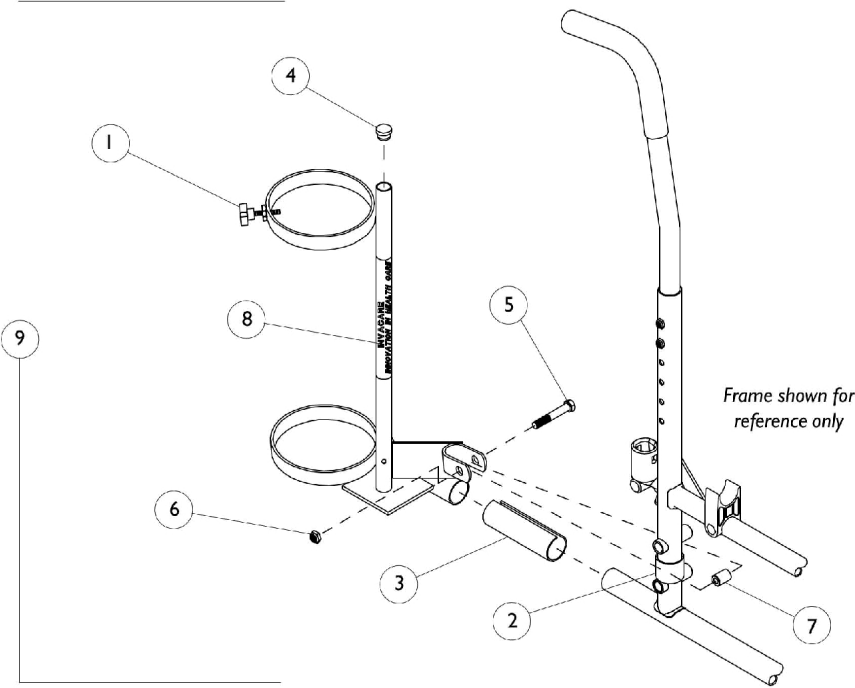
Positioning Straps

Part Number	Description	Quantity Per Package	Quantity Per Assembly
1004310 See Note(s) A, B	Seat/Chest Positioning Strap Auto Style Buckle	1	1
1034625 See Note(s) C, A	Seat/Chest Positioning Strap Auto Style Buckle See Note(s) B	1	1
1034744 See Note(s) A	Seat/Chest Positioning Strap Hook & Loop Style Buckle See Note(s) C	1	1
1034745 See Note(s) A	Chest Positioning Strap Hook & Loop Style Buckle	1	1
NOTE: A - Not Shown B - Eyelet to Eyelet length 45" C - Eyelet to Eyelet length 58"			

Crutch and Cane Carrier

Part Number	Description	Quantity Per Package	Quantity Per Assembly
1034204 See Note(s) B, A	Crutch & Cane Carrier	1	1
1083232 See Note(s) B	Instruction Sheet	1	1
NOTE: A - Includes Instrucion Sheet B - Not Shown			

Oxygen Holder

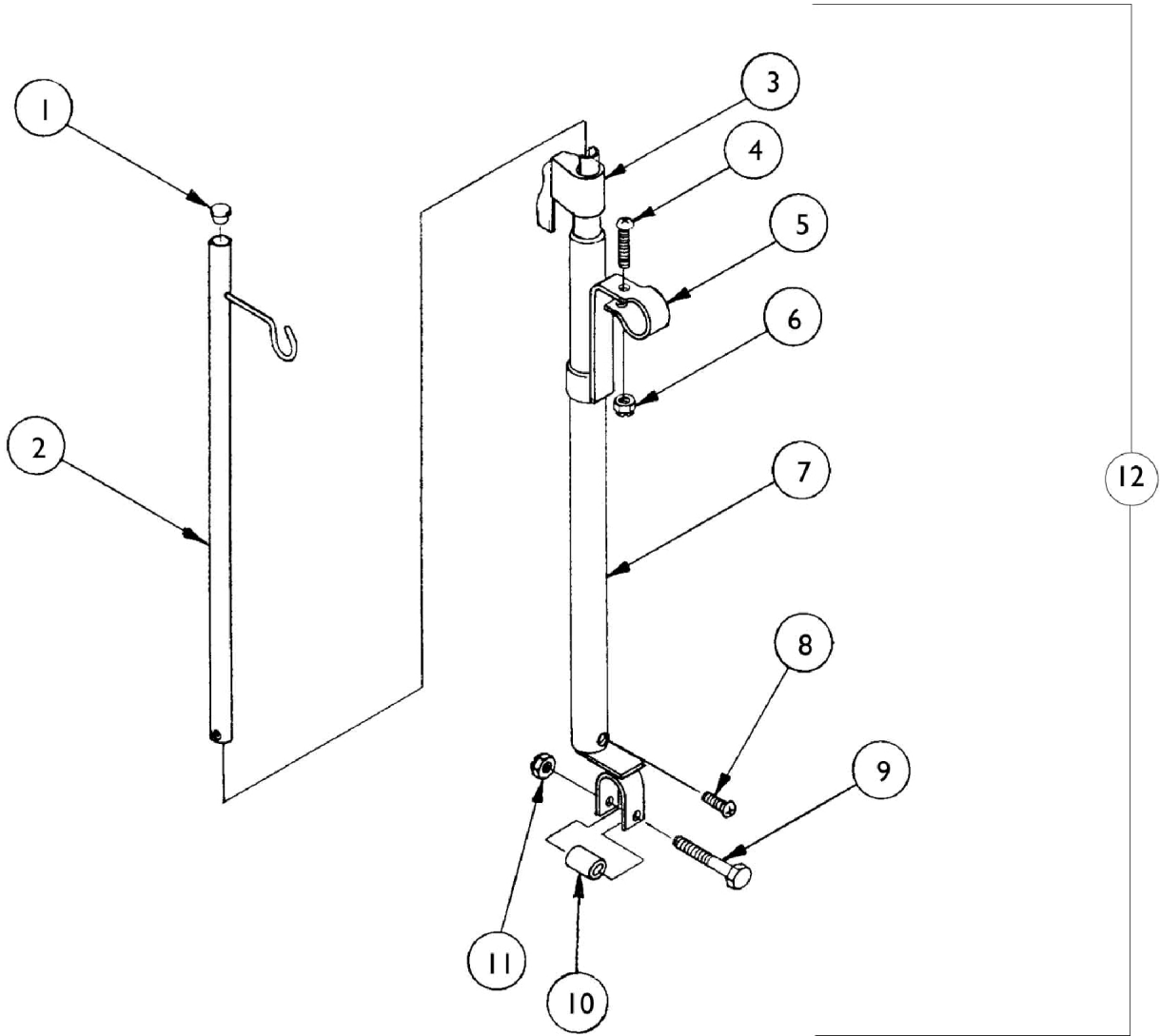


Oxygen Holder

Item Number	Note	Part Number	Description	Quantity Per	
				Package	Assembly
1		1027684	Knob, Clamping (Black)	1	1
2		1023618	Tube, Guide	1	1
3		1023560	Tube, Insert Guide (3-3/4")	1	1
4		1017672	Plug Button, Grey (1/2")	1	1
5		11239X000	Screw, Hex Head Cap (5/16-24 x 1-3/4")	1	1
6		7930363	Pkg, Locknut (5/16"-24)	25	1
7		1102577	Spacer, Black (5/16 x 11/16 x 15/16")	1	1
8		1095497	Decal, Invacare Logo	1	1
9	B	1070901	Oxygen Holder	1	1
	A	1027930	Instruction Sheet, Oxygen Holder	1	1

NOTE: A - Not Shown
B - Includes items 1-7 and Instruction Sheet

I.V. Rod (Non-Recliner)

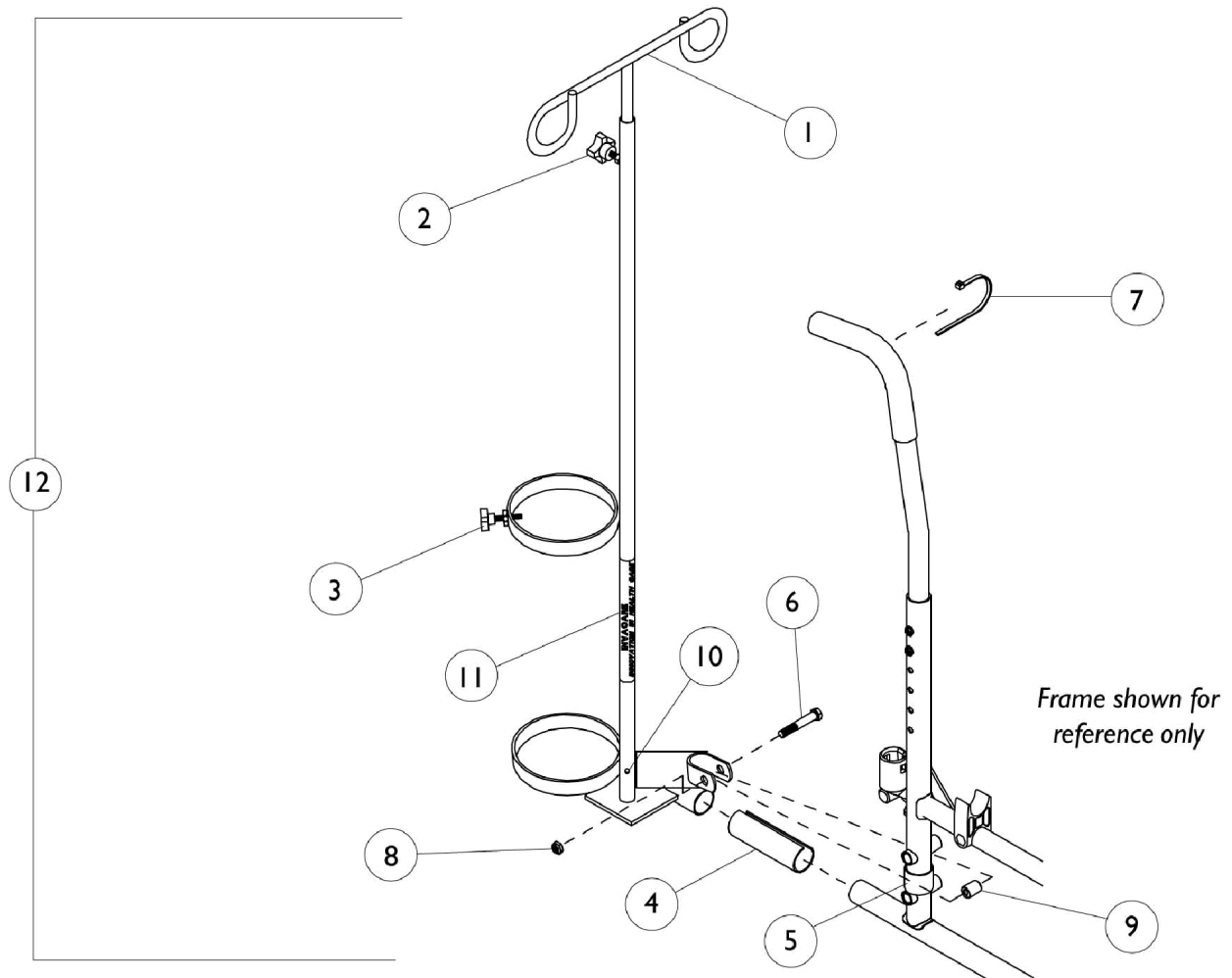


I.V. Rod (Non-Recliner)

Item Number	Note	Part Number	Description	Quantity Per	
				Package	Assembly
1		1027095	Plug Button, Black (7/8")	1	1
2		04701X028	I.V. Rod	1	1
3		12592X000	Lock Adjustment	1	1
4		16718X000	Screw, Phillips Pan Head (#10-32 x 7/8")	1	1
5		1020082	Bracket, Mounting	1	1
6		7930365	Locknut (#10-32)	25	1
7		1017623	I.V. Socket	1	1
8		21243X000	Screw, Pan Head (#6-20 x 3/8")	1	1
9		11239X001	Screw, Hex Head Cap (5/16-24 x 1-1/2")	1	1
10		1102577	Spacer, Black (5/16 x 11/16 x 15/16")	1	1
11		7930363	Pkg, Locknut (5/16"-24)	25	1
12	B	1036820	I.V. Rod	1	1
	A	1083233	Instruction Sheet	1	1

NOTE: A - Not Shown
B - Includes Items 1-11 and Instruction Sheet

I.V. / Oxygen Holder



I.V. / Oxygen Holder

Item Number	Note	Part Number	Description	Quantity Per	
				Package	Assembly
1		1027468	I.V. Rod	1	1
2		1027683	Knob, Adjustment	1	1
3		1027684	Knob, Clamping (Black)	1	1
4		1023560	Tube, Insert Guide (3-3/4")	1	1
5		1023618	Tube, Guide	1	1
6		11239X000	Screw, Hex Head Cap (5/16-24 x 1-3/4")	1	1
7		98007X005	Cable Tie (11-1/2" Long)	1	1
8		7930363	Pkg, Locknut (5/16"-24)	25	1
9		1102577	Spacer, Black (5/16 x 11/16 x 15/16")	1	1
10		1027789	Roll Pin	1	1
11		1095497	Decal, Invacare Logo	1	1
12	B	1070899	I.V. /Oxygen Holder	1	1
	A	1027931	Instruction Sheet, I.V./Oxygen Holder	1	1

NOTE: A - Not Shown
B - Includes Items 1-10 Instruction Sheet

Back/Seat Accessories

Solid Back Insert

Width	16" Height	18" Height
14" Width	8881052671	8881052672
16" Width	8881052675	8881052676
17" Width	8881052677	8881052678
18" Width	8881052679	8881052680
20" Width	8881052683	8881052684

Solid Seat Insert

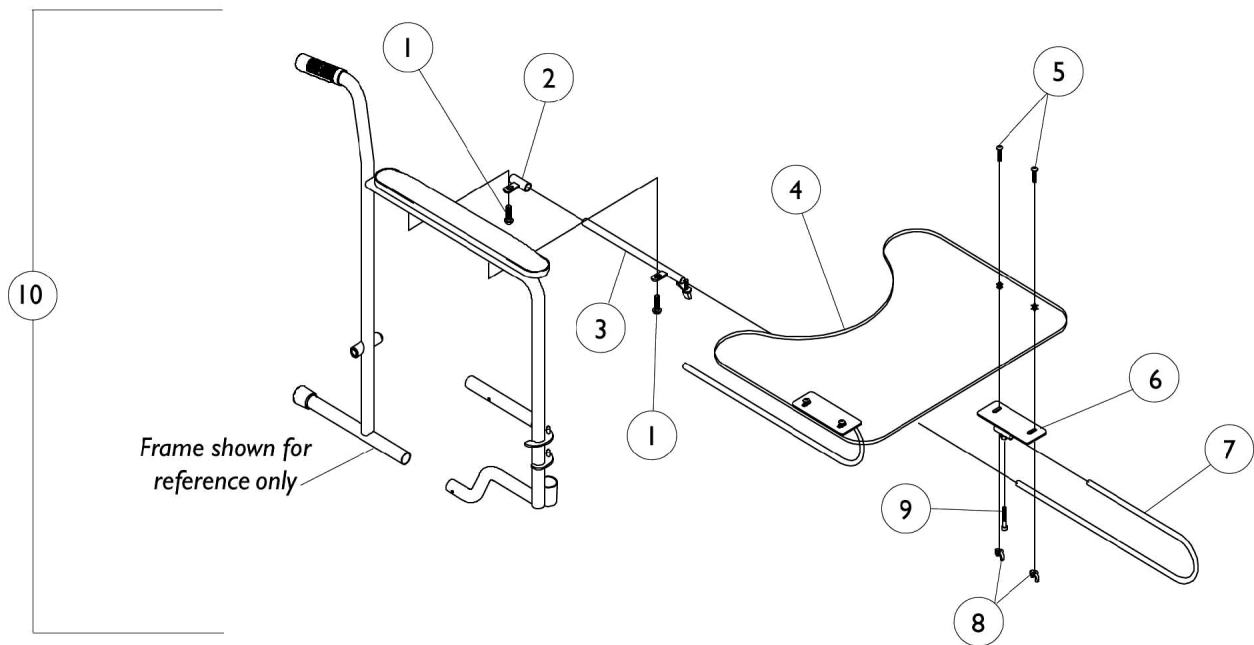
Width	16" Depth	18" Depth
14" Width	8881052557	--
16" Width	8881052563	8881052565
17" Width	8881052566	8881052568
18" Width	8881052569	8881052571
20" Width	8881052575	8881052577

Back/Seat Accessories

Back Pack/Seat Pouch

Chair Width	Part Number	Description
14" Wide	1109322	Back Pack 11" W x 13" H x 4" D
16-20" Wide	1109323	Back Pack 14" W x 12" H x 4" D
14-20" Wide	1109324	Seat Pouch 8-1/2" W x 7" H x 4" D

Utility Tray

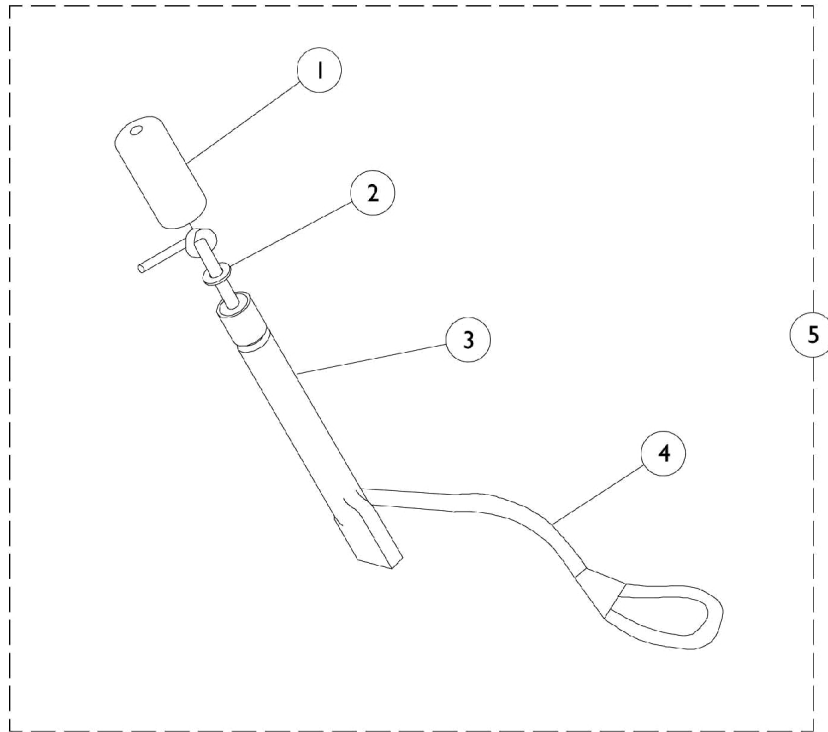


Utility Tray

Item Number	Note	Part Number	Description	Quantity Per	
				Package	Assembly
1		11008X001	Screw, Pan Head (#10-32 x 1-3/8")	1	2
2		04570X002	Slide Tube Support	1	2
3		04570X009	Slide Lock Tube, Full Length Arm - Right	1	1
3		04570X010	Slide Lock Tube, Full Length Arm - Left	1	1
3		04570X011	Slide Lock Tube, Desk Length Arm - Right	1	1
3		04570X012	Slide Lock Tube, Desk Length Arm - Left	1	1
4		47469X006	Tray	1	1
5		10123X006	Bolt, Carriage (1/4-20 x 3/4")	1	4
6		1009341	Tray Bracket	1	2
7		1010922	Support Tube	1	2
8		20148X004	Wing Nut (1/4-20)	1	4
9		60284X001	Screw, Socket Head Cap (1/4-20 x 1/2")	1	2
10	B	1035965	Utility Tray, Full Length Arm	1	1
10	B	1035966	Utility Tray, Desk Length Arm	1	1
	A	1011234	Allen Wrench (3/16")	1	1
	A	1023704	Instruction Sheet	1	1

NOTE: A - Not Shown
B - Includes Instruction Sheet

Wheel Lock Extension Handle



Wheel Lock Extension Handle

Item Number	Note	Part Number	Description	Quantity Per	
				Package	Assembly
1	A	1007317	Tip, Plastic	1	1
2		1013218	Washer (#10 Flat)	1	1
3		1038597	Extension Handle (6")	1	1
4		1038662	Elastic Cord	1	1
5	B	1063125	Wheel Lock Extension Handle Assembly	1	1
5	B,C	1038599	Wheel Lock Extensions (6") (1 Pair)	2	1
	D	1039644	Instruction Sheet, Wheel Lock Extensions	1	1
NOTE: A - After 8/02 B - Includes items 1-4 C - Includes Instruction Sheet D - Not Shown					



Yes, you can.™

Invacare Corporation

www.invacare.com

One Invacare Way
Elyria, Oh USA
44036-2125
800-333-6900

Technical Support
800-832-4707
Customer Service
800-333-6900

Customer Service
800-333-6900

©2006 Invacare Corporation. Elyria, Ohio.
Invacare, Yes, you can., and the Medallion
Design are registered trademarks and
Patriot is a trademark of Invacare
Corporation. (Revised 10/11/06)

Form No. 98-252